

INSTRUCTION

OPTIGO OP10, OP10-230




Read this instruction before installation and wiring of the product

6762L
OCT'13



Consult documentation in all cases where this symbol is used, in order to find out the nature of the potential hazards and any actions to be taken

Controller with display

Optigo OP10 is a pre-programmed, configurable controller. It has 10 inputs/outputs and can be configured to control temperature (ventilation control with heating and cooling), water-heated radiator heating with outdoor temperature dependent control-curve or domestic hot water control.

From revision R20, it is possible to connect an external setpoint device. The device can be used for control modes 1-4.

OP10 is available in two versions, OP10 with 24 V AC supply voltage and OP10-230 with 230 V AC supply voltage.

All configuration and normal handling is done using the display and the knob on the front.

Technical data

Supply voltage	
OP10-230	230 V AC +10/-15%, 50/60 Hz
OP10	24 V AC ±15%, 50/60 Hz
Power consumption	4 VA
Ambient temperature	0...50°C
Ambient humidity	Max. 95% RH
Storage temperature	-20...70°C
Display	Numeric / graphic. Background illumination.
Inputs	Refer to connection illustrations and table below
Terminal blocks	Disconnectable, so-called lift type for cable cross-section 2.5 mm ²
Protection class	IP20
Material, casing	Polycarbonate, PC
Weight	
OP10-230	370 g incl. terminals
OP10	215 g incl. terminals
Dimensions	122 x 120 x 64 mm (WxHxD incl. terminals)
Overvoltage category	3
Pollution degree	2

Inputs

AI	Resolution: 10 bit A/D
AI1	PT1000-sensor, range 5...80°C
AI2	PT1000-sensor, range -30...+50°C
SPI	PT1000 setpoint device, range 0...40°C
UI	
AI	PT1000, range 0...80°C
or DI	Closing potential-free contact
A _{GND}	Reference for AI
UI+	Reference for UI
DI	Closing potential-free contact
DI+	Reference for DI

Outputs

AO	0...10 V DC; 8 bit D/A short-circuit protected
DO1 and DO2 (OP10)	Triac controlled, 24 V AC, 0.5 A continuous (connected to G0)
DO1 and DO2 (OP10-230)	Triac controlled, 24 V AC, 0.16 A continuous with internal trafo (connected to G0)
DO3	Change-over (SPDT) relay 230 V AC, 1000 VA
GDO	Reference for DO1 and DO2. 24 V AC output

Setpoint values

	Temperature	Factory setting
Supply air	10...80°C	21°C
Cascade control, room	10...50°C	21°C
Radiator circuit control (only when using a room sensor)	10...40°C	21°C
External setpoint	0...40°C	
Domestic hot water	10...80°C	55°C
Neutral zone	0...10°C	1°C
P-band	0...99°C	15°C
I-time	0...990 s	60 s
D-factor	0...99	0
P-band cascade	0.5...99°C	15°C
Min. at cascade	0...99°C	15°C
Max. at cascade	0...99°C	25°C
Damper min. limit	0...99 %	10 %
Start of outdoor compens.	-30...50°C	10°C
Outdoor compensation at -20°C outdoor temp.	-10...10°C	5°C
Supply temperature (water-heated radiator heating)		
at -20°C outdoor temp.	0...99°C	60°C
at 20°C outdoor temp.	0...99°C	20°C
Frost protection	7°C (fixed)	
SP. Shutdown mode	25°C (fixed)	
Actuating time, 3-point actuator	10...300 s	120 s
Frost protection thermostat heating output	0...100 %	25 %



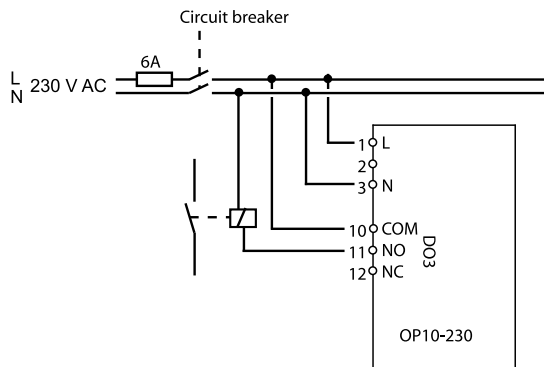
Installation

OP10-230 must be installed in a casing (DIN-casing or similar) where it can be used without risk of electric shock and where it fulfills the demands for the LVD-standard. See the section Installation in the "Optigo OP10 Manual", which can be downloaded from www.regin-controls.com.



Disconnection

The controller OP10-230 shall be connected to a switch or circuit breaker in the building installation. This switch shall be in close proximity to the controller and within easy reach of the operator, and shall be marked as the disconnecting device for the equipment.



⚠ Overcurrent protection

The controller OP10-230 shall be protected by a fuse in the building installation. The maximum load of the controller, 1000 VA, suggests a 6 A fuse.

Follow table 1 below for connection.

Table 1. I/O connection terminals

Terminal	Designation	Operation
1	G	24 V AC
2	G0	Optigo 10 only
3	— —	
1	L	230 V AC
2		Optigo 10-230 only
3	N	
10	Common	DO3 Relay 230 V AC, 1000 VA
11	NO	
12	NC	
13	GDO	Reference for DO1 and DO2
14	DO1	Digital output
15	DO2	Digital output
20	AGnd	Reference for AO1 and AO2
21	AO1	0...10 V DC output
22	AO2	0...10 V DC output

40	DI2	Digital input
41	DI+	Reference for DI1 and DI2
42	DI1	Digital input
43	UI+	Reference for UI1
44	UI1	Universal input PT1000 or Digital
50	AGnd	Reference for AI1
51	AI1	PT1000 temp. sensor input
52	AGnd	Reference for AI2
53	AI2	PT1000 temp sensor input
54	SPI	Input PT1000 setpoint device

For best protection against disturbances, a shielded twisted-pair cable should be used for wiring the sensors. Ground the shield at one end.

Control modes

Optigo can be configured to any one of the following control modes:

1. Supply air temperature control

The supply air temperature is kept at the setpoint value by controlling the output signals on AO1 and AO2. A single PI control loop is used. Connect the sensor to AI1, even if only using a room sensor.

2. Supply air temperature control with outdoor compensation

The supply air temperature is kept at the setpoint value by controlling the output signals on AO1 and AO2. A single PI control loop is used. The setpoint is automatically adjusted according to the outdoor temperature.

3. Cascade connected supply air control with room / extract air temperature influence

An offset in room temperature will adjust the supply air temperature setpoint so as to eliminate the room temperature offset. Control loops with PI-control are used. The supply air temperature is minimum and maximum limited. A supply temperature sensor and a room/extract air sensor must be utilised.

4. Radiator circuit control with outdoor curve

The water temperature setpoint is changed according to the outdoor temperature. A single PI control loop is used. A room temperature sensor can be added to give corrective action if the room temperature differs from the setpoint. Without a room sensor, the setpoint is a parallel displacement of the curve. When using a room sensor, the setpoint is a room setpoint. This is automatically set when configuring control mode 4.

5. Domestic hot water control

The water temperature is kept constant by controlling the output signal on AO1. A single PID control loop is used.

Control modes 1, 2 and 3

For control modes 1, 2 and 3, the analogue outputs can be configured to the following combinations:

	AO1	AO2	Display symbols
1	Heating	-	/ ☀
2	Cooling	-	/ ❄
3	Heating	Cooling	// ☀ ❄
4	Heating	Heating	// ☀ ☀
5	Cooling	Cooling	// ❄ ❄
6	Heating	Damper	// ☀ ☑
7	Cooling	Damper	// ❄ ☑

Note: For control modes 1, 2 and 3, the input for fan indication (DI1) must be connected in order to start the control function, otherwise an alarm, AL3, will be generated. The input must "follow" the fan output, i.e. if the output closes, the input must also close.

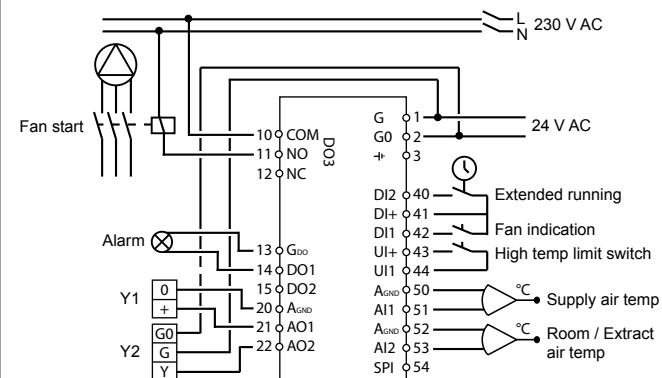


Figure 1. Wiring example: OP10 with electric heating (for example via PULSER-X/D or TTC25X) and damper. Cascade control.

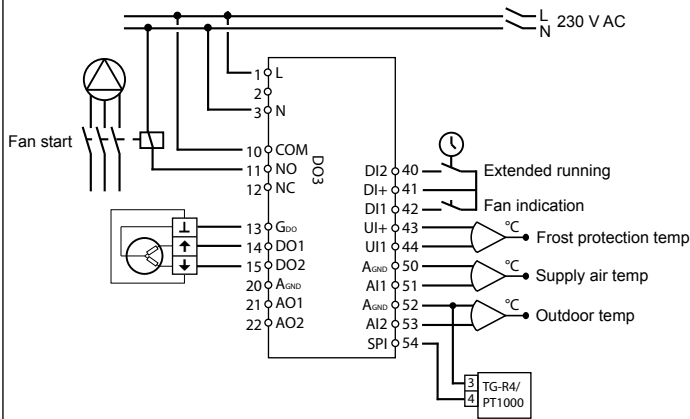


Figure 2. Wiring example: OP10-230 with water heating, 3-position output. Supply air control with outdoor compensation and external setpoint device.

The digital outputs are 24 V AC, Gdo is common and DO is connected to G0. For OP10, DO1 and DO2, the outputs can handle 12 VA. For OP10-230, DO1 and DO2, the outputs can handle 3.8 VA when using the internal transformer.

Control mode 4

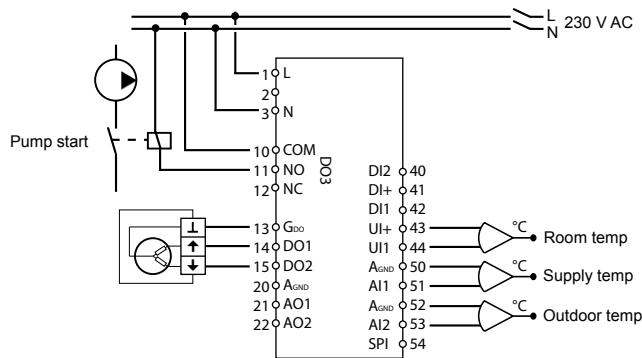


Figure 3. Wiring example: OP10-230 with 3-position actuator and room temperature sensor (can also be used without a room temperature sensor).

The digital outputs are 24 V AC, Gdo is common and DO is connected to G0. For OP10, DO1 and DO2, the outputs can handle 12 VA. For OP10-230, DO1 and DO2, the outputs can handle 3.8 VA when using the internal transformer.

Control mode 5

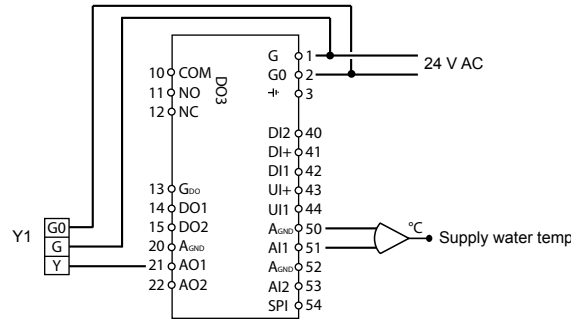


Figure 4. Wiring example: OP10 with 0...10 V actuator

The display menu system

The display menu system is divided into three levels, the configuration level (10-second level), the clock and scheduler level (3-second level) and the basic level.

The configuration level (10-second level)

This level is shown the first time the unit is connected. It is reached from the Base Display (see the section *The basic level* below) by holding the encoder button depressed for 10 seconds. The 10-second level holds all the configuration menus. Note: The controller must display the Base Display when pressing the encoder knob to reach the 10-second level.

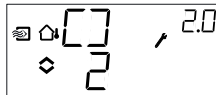


Table 2 below shows how the 10-second level is organised. When you enter the 10-second level, you will see menu level 0. Here, you choose the control mode. You navigate through the menus and control modes by turning and clicking on the encoder knob. Different menus are shown depending on the configuration.

Table 2. Display menus in the 10-second level

Menu level	Control modes				
0	1 Supply air temp. control 	2 Supply air temp. contr. with outd. compensation 	3 Cascade control 	4 Radiator control with outdoor curve 	5 Domestic hot water control

1					-
1.A	Actuating time 	Actuating time 	Actuating time 	Actuating time 	-
2	Output signal 	Output signal 	Output signal 	-	-
3	Neutr. zone 	Neutr. zone 	Neutr. zone 	-	-
4	P-band 	P-band 	P-band 	P-band 	P-band
5	I-time 	I-time 	I-time 	I-time 	I-time
6	Damper minimum position 	Damper minimum position 	Damper minimum position 	0°C temperature boost 	D-factor
6	-	-	P-band cascade 	-	-
7	Function for input UI1 	Function for input UI1 	Function for input UI1 	Pump exercise 	Over-heating
	alt. 	alt. 	alt. 		
	alt. 	alt. 	alt. 		
	alt. 	alt. 	alt. 		
	alt. 	alt. 	alt. 		
	alt. 	alt. 	alt. 		

7.b	Valve position at controlled stop 	Valve position at controlled stop 	Valve position at controlled stop 		
8	-	Startpoint for outdoor compensation 	Supply air min limit 	Low set-point (at +20°C outdoor temp.) 	-
9	-	Maximum compensation (at -20°C outdoor temp.) 	Supply air max limit 	High set-point (at -20°C outdoor temp.) 	-
E	External setpoint 	External setpoint 	External setpoint 	External setpoint 	
11	I/O 	I/O 	I/O 	I/O 	I/O
Menu OK					

Choose control mode in menu level 0 by clicking on the knob so the “Menu holds changeable values” symbol (see the section *Display symbols* below) starts flashing, and then turning the knob. When the control mode you want to choose is displayed, click once more on the knob so the “Menu holds changeable values” symbol stops flashing.

When you have chosen the control mode, you move between the menu levels by turning the knob when the “Menu holds changeable values” symbol is not flashing.

In some cases, making a certain choice in one menu will mean that you will only see certain other menus.

Example: To set the I-time for control mode 3 (Cascade connected room / extract air temperature control), go to menu 3.5. Click on the encoder knob. The “Menu holds changeable values” symbol will start flashing. Change the value by turning the knob and confirm the change by clicking on the knob.

To exit the 10-second level, go to Menu OK and click on the encoder knob. The Time and Scheduler level will be displayed. To exit the Time and Scheduler level, go to the OK menu after the scheduler menus, and click on the encoder knob. You will be returned to the Base Display. There is also a time-out function that will automatically exit the configuration level after 5 minutes of inaction.

Menu 1.1, 2.1, 3.1, 4.1 : Selection of the actuator’s type
When choosing an actuator 3-point control, you will come to a new menu: 1.A, 2.A, 3.A or 4.A. This menu shows the actuating time of the actuator 3-point control.

Menu 1.7, 2.7, 3.7: Function for input UI1

There are six different setting options for UI1: “--” (No function), “1” Frost protection AO1, “2” Frost protection AO2, “3” High temperature limit switch, “4” Thermal switch frost protection AO1, “5” Thermal switch frost protection AO2. If frost protection is desired when using a 3-position actuator, set UI1 to “1” or to “4”. When using a 3-position actuator, the alarm output cannot be used.

Storage of settings

All configuration settings become valid as soon as they are entered by clicking the encoder knob. They are however not written to the flash memory until you exit the configuration level either via the OK menu or via the time-out function.

To exit the configuration level without saving the changes to flash memory, cut the supply voltage when still in the configuration level. All values will be kept as they were before you entered the configuration level.

See the “Optigo OP10 Manual” for more information about the configuration menus in the 10-second level. The manual can be downloaded from www.regincontrols.com.

The clock and scheduler level (3-second level)

This level is reached from the Base Display by holding the encoder button depressed for 3 seconds. The 3-second level holds all menus for setting the clock and scheduler program. The scheduler function is only available for control modes 1, 2, 3 and 4. Note: The controller must display the Base Display when pressing the encoder knob to reach the 3-second level.



This sample display shows that the time is 13:48 on a Friday, the fifth day of the week. To set the clock, click the knob and the day-of-the-week number will start flashing. Turn the knob until the correct day is shown, Monday is 1, Tuesday 2 etc, and then click the knob again to acknowl-

edge the choice. Now the hours will flash. Set them in the same way and then finally the minutes. After confirming the minutes the menu will change to show the first of the scheduler menus. Note: The clock is not year- or date-based and does not have automatic summertime adaption.

There are 4 ON-points and 4 OFF-points. Each point has its own menupage where 0.1, 0.3, 0.5 and 0.7 are ON-points and 0.2, 0.4, 0.6 and 0.8 are OFF-points.

Control modes 1, 2 and 3

For control modes 1-3, the ON-points will start the unit and the OFF-points will shut it down.

Example: You wish the unit to run Monday to Friday between 07:30 and 18:00, Saturday 8:00 to 14:00. Set the first on-time to day 8 (which corresponds to every day Monday through Friday) and 7:30, the first off-time to day 8 and 18:00. Set the second on-time to day 6 (the sixth day of the week) and 8:00 and the second off-time to day 6 and 14:00. Set all other menus to day -- (unused menus).

After the eight switching point menus there is a ninth, 0.9. There the present output status of the scheduler is shown and you can manually override the setting. If, for example, the switch is shown as ON and you change it to OFF it will remain off either until you manually change it to On again or until the next timer ON-point is reached.

After the scheduler menus there is a final menu, OK. A click on the encoder knob will exit the Time and Scheduler level and return you to the Base Display.

Control mode 4

Control mode 4 uses the scheduler for switching to economy mode (ECO) where the temperature is lowered by a settable number of degrees. The ON-points will switch ECONomy period on and the OFF-points will switch back to comfort temperature.

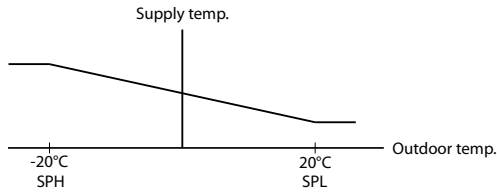
Example: Every weekday morning you want the temperature to start rising at 06:00 and remain at comfort level until 21:00. On Saturday and Sunday you want high temperature from 07:00 to 23:30.

Set first on-time to day 8 and 21:00, the first off-time to day 8 and 06:00. Set the second on-time to day 6 and 23:30 and the second off-time to day 6 and 07:00. Set the third on-time to day 7 and 23:30 and the third off-time to day 7 and 07:00.

After the eight switching point menus there is a ninth, 0.9. In this menu you set the number of degrees you wish to lower the room temperature setpoint during the economy periods. If no room sensor is connected the supply water setpoint will be lowered by 3 times the set value.

After the scheduler menus there is a final menu, OK. A click on the encoder knob will exit the Clock and Scheduler level and return you to the Base Display.

Outdoor compensation

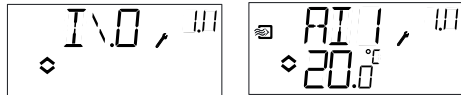


The basic level

The Base Display is shown when there is no operator activity.



I/O: By turning the knob counter clockwise when the Base Display is shown, until the text I/O is displayed, and then clicking on the knob, you can access a menu where you can look at the values and states of all the inputs and outputs. To exit this menu, click on the knob and then turn it clockwise and you will be returned to the Base Display.



Setpoint: When in the Base Display, a click on the encoder button gives direct access to the Setpoint menu. To change the setpoint, click on the encoder knob again. The "Menu holds changeable values" symbol will start flashing. Change the value by turning the knob and confirm the change by clicking on the knob.



From revision R20, it is possible to either use an external PT1000 setpoint device or to set the setpoint value via the display. External setpoint can only be used for control modes 1-4. For control mode 4, a room sensor is also required. For choice of internal or external setpoint, go to menu 1.E, set EXT SP to ON for external setpoint or OFF for internal. When using an external setpoint device, you can only see the current setpoint in the setpoint menu.



Configuration menu:
choice of external
or internal setpoint

I/O menu: SPI selected,
the actual value is shown

Calculated setpoint: For control modes with outdoor temperature compensation or cascade control, the controller does not work towards a fixed setpoint value. Instead, it works towards a calculated setpoint, which varies with the outdoor temperature or, when using cascade control, the room temperature. The calculated setpoint is displayed by turning the knob clockwise when in the Base Display.



Control mode 2	Control mode 3	Control mode 4
Supply air temp control with outdoor compensation	Cascade connected room control	Radiator circuit control with outdoor curve

Alarm handling: If there are any active alarms, clicking on the encoder button will instead give access to the alarm handling menus. Here the alarms are displayed and can be acknowledged. There is one menu display for each alarm with symbols showing which type of alarm it is. If there are any active, unacknowledged alarms, the alarm indicator in the Base Display will light up and start flashing. DO1 will be activated as a sum alarm output if a 3-position actuator is not being used.

There are four different alarm types:

- AL1** Frost protection alarm. The frost protection temperature has fallen below 7°C. The frost protection temperatures are fixed values. Frost protection control is initiated at 12°C, alt. when the frost protection switch is triggered and the U1 input is open.
- AL2** High temperature limit switch activated.
- AL3** Fan indication alarm. Either there is no fan indication input on DI1 when the fan start output, DO3 is active or DI1 is active although there is no fan start signal on DO3. The fan alarm has a 30 second delay.
- AL4** Sensor error. A sensor input is open circuit.

A symbol shows which type of alarm it is. Snowflake for frost protection, sun for high temperature limit switch, a fan for fan indicator and the input symbol for sensor error.

If there are multiple alarms, turn the knob to scroll through them. To acknowledge an alarm, click the knob to enter change mode. Then turn it to change No to Yes and click to acknowledge.

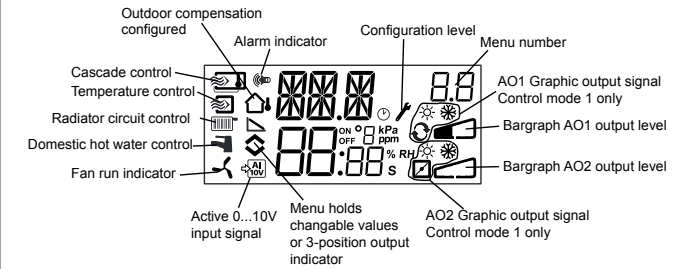


An alarm will remain on the alarm list until it is both acknowledged and has reset. The alarm indicator in the Base Display will remain lit until the alarm list is empty. However, it will only continue to flash as long as there are unacknowledged alarms in the list. Thereafter it will remain lit until all

alarms have reset. If DO1 is used as alarm output it will remain activated as long as there are unacknowledged alarms in the alarm list. DO1 cannot be used as an alarm output when 3-point control has been selected.

See the "Optigo OP10 Manual" for more information about alarm handling. The manual can be downloaded from www.regincontrols.com.

Display symbols



Reset to factory setting

OP10 can be reset to factory settings by configuring Domestic hot water control (mode 5) and setting the D-factor to 99. Go to the Base Display. Then cut the power supply. When power is reapplied all configuration and scheduler settings will be reset to factory setting.



EMC emissions & immunity standards

This product conforms to the requirements of the EMC Directive 2004/108/EC through standards EN 61000-6-1 and EN 61000-6-3.

LVD, Low Voltage Directive

OP10-230 fulfills the demands for the current European LVD-standard 60730-1 and EN 60730-2-9.

RoHS

This product conforms to the Directive 2011/65/EU of the European Parliament and of the Council.

Contact

AB Regin, Box 116, 428 22 Källered, Sweden
Tel: +46 31 720 02 00, Fax: +46 31 720 02 50
www.regincontrols.com, info@regin.se

INSTRUKTION OPTIGO OP10, OP10-230



Läs denna instruktion innan produkten monteras och ansluts



Följ alltid de anvisade säkerhetsföreskrifterna i dokumentationen för att förebygga risken för brand, elstöt och personskador

Regulator med display

Optigo OP10 är en förprogrammerad, konfigurerbar regulator. Den har 10 ingångar/utgångar och kan konfigureras att reglera temperatur (ventilation med värme och kyla), vattenburen radiatorvärme med utetemperaturberoende reglerkurva, eller tappvarmvatten.

Från och med revision R20 finns det möjlighet att ansluta en extern börvärdespotentiometer. Potentiometern kan användas för reglerfall 1-4.

OP10 finns i två olika versioner, OP10 med 24 V AC matningsspänning och OP10-230 med 230 V AC matningsspänning.

All konfiguration och normal hantering görs via displayen och ratten på framsidan av regulatorn.

Tekniska data

Matningsspänning

OP10-230	230 V AC +10/-15%, 50/60 Hz
OP10	24 V AC ±15%, 50/60 Hz

Effektförbrukning 4 VA

Omgivningstemperatur 0...50°C

Omgivande luftfuktighet Max. 95% RH

Lagringstemperatur -20...70°C

Display Numerisk / grafisk. Bakgrundsbelyst.

Ingångar Se inkopplingsbilder och tabell nedan

Skruvplintar Löstagbara, av sk hisstyp för kabelarea 2,5 mm²

Skyddsklass IP20

Material hölje Polycarbonat, PC

Vikt

OP10-230	370 g inkl. plintar
OP10	215 g inkl. plintar

Mått 122 x 120 x 64 mm (BxHxD inkl. plintar)

Överspänningskategori 3

Nedsmutningsgrad 2

Ingångar

AI	Upplösning: 10 bit A/D
AI1	PT1000-givare, mätområde 5...80°C
AI2	PT1000-givare, mätområde -30...+50°C
SPI	PT1000 börvärdesomställare, mätområde 0...40°C
UI	
AI	PT1000, mätområde 0...80°C
eller DI	Slutande potentialfri kontakt
A _{GND}	Referens för AI
UI+	Referens för UI
DI	Slutande potentialfri kontakt
DI+	Referens för DI

Utgångar

AO	0...10 V DC; 8 bit D/A kortslutningsskyddade
DO1 och DO2 (OP10)	Triacstyrda, 24 V AC, 0,5 A kontinuerligt (anslutna till G0)
DO1 och DO2 (OP10-230)	Triacstyrda, 24 V AC, 0,16 A kontinuerligt med intern trafo (anslutna till G0)
DO3	Växlande (SPDT) relä 230 V AC, 1000 VA
GDO	Referens för DO1 och DO2. 24 V AC-utgång

Börvärden

	Temperatur	Fabriksinställning
Tilluft	10...80°C	21°C
Kaskadreglering, rum	10...50°C	21°C
Radiatorreglering	10...40°C	21°C
(endast då rumsgivare används)		
Externt börvärde	0...40°C	
Tappvarmvatten	10...80°C	55°C
Neutralzon	0...10°C	1°C
P-band	0...99°C	15°C
I-tid	0...990 s	60 s
D-faktor	0...99	0
P-band kaskad	0,5...99°C	15°C
Min. vid kaskad	0...99°C	15°C
Max. vid kaskad	0...99°C	25°C
Minbegränsning spjäll	0...99 %	10 %
Utekompensering start	-30...50°C	10°C
Utekompensering vid -20°C utetemperatur	-10...10°C	5°C

Framledningstemperatur

vid -20°C utetemperatur	0...99°C	60°C
vid 20°C utetemperatur	0...99°C	20°C
Frys-skydd	7°C (fast)	
Varmhållningstemperatur	25°C (fast)	
Gångtid 3-punktställdon	10...300 s	120 s
Varmhållning frys-skyddstermostat	0...100 %	25 %



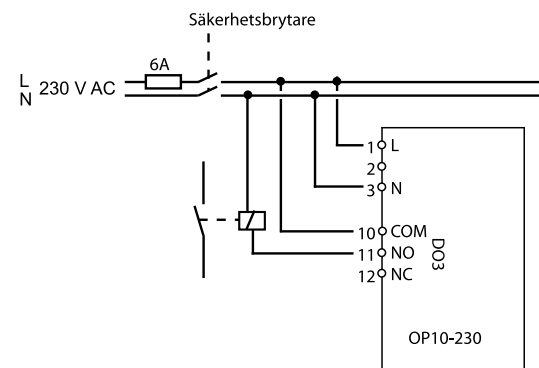
Installation

OP10-230 måste installeras i en kapsling (DIN-kapsling eller motsvarande) som ger tillräckligt beröringsskydd för elsäker användning och LVD-godkännande. Se avsnittet Installation i "Optigo OP10 Manual", som kan laddas ner från www.regin.se.



Frånkoppling

Regulatorn OP10-230 ska kopplas till en säkerhetsbrytare / arbetsbrytare för att kunna göra regulatorn spänningslös. Denna brytare ska monteras i regulatorns närhet och ska lätt kunna nås av operatören. Den ska tydligt märkas som brytare för regulatorn.

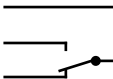


Överströmsskydd

OP10-230 ska skyddas mot överström genom en säkring i den fasta installationen. Den maximala lasten på 1000 VA medför att en säkring på 6A är ett lämpligt värde.

Följ tabell 1 nedan för anslutning.

Tabell 1. I/O anslutningsplintar

Plint	Beteckning	Funktion
1	G	24 V AC
2	G0	Endast Optigo 10
3		
1	L	230 V AC
2		Endast Optigo 10-230
3	N	
10	Gemensam	 DO3 Relä 230 V AC, 1000 VA
11	NO	
12	NC	
13	GDO	Referens för DO1 och DO2
14	DO1	Digital utgång
15	DO2	Digital utgång
20	AGnd	Referens för AO1 och AO2
21	AO1	0...10 V DC utgång
22	AO2	0...10 V DC utgång
40	DI2	Digital ingång
41	DI+	Ref. för DI1 och DI2
42	DI1	Digital ingång
43	UI+	Referens för UI1
44	UI1	Universell ingång PT1000 eller Digital
50	AGnd	Referens för AI1
51	AI1	Ingång PT1000 temp.givare
52	AGnd	Referens för AI2
53	AI2	Ingång PT1000 temp.givare
54	SPI	Ingång PT1000 börvärdesomställare

För bästa störskydd bör en skärmd, partvinnad kabel användas för inkoppling av givare. Skärmen ska jordas i ena änden.

Reglerfall

Optigo kan konfigureras till ett av följande reglerfall:

1. Tilluftsreglering

Tilluftstemperaturen konstanthålls till det inställda börvärdet genom reglering av utsignalerna på AO1 och AO2. En regulatorkrets med PI-reglering används. Givaren ska vara ansluten till AI1, även om endast en rumsgivare används.

2. Tilluftsreglering med utetemperaturkompensering

Tilluftstemperaturen hålls till börvärdet genom reglering av utsignalerna på AO1 och AO2. En regulatorkrets med PI-reglering används. Börvärdet justeras automatiskt beroende på utomhustemperaturen.

3. Kaskadkopplad tilluftsreglering med inverkan från rums-/frånluftstemperatur

En avvikelse i rumstemperatur elimineras genom att tilluftstemperaturens börvärde justeras. Regulatorkretsar med PI-reglering används. Tilluftstemperaturen är min- och maxbegränsad. Tilluftstemperaturgivare samt rums-/frånluftsgivare måste användas.

4. Radiatorreglering med utomhuskompensering

Vattentemperaturens börvärde ändras beroende på utomhustemperaturen. En regulatorkrets med PI-reglering används. En rumstemperaturgivare kan kopplas in för att korrigera om rumstemperaturen skiljer sig från börvärdet.

Utän rumsgivare är börvärdet en parallellförskjutning av kurvan. Med rumsgivare är börvärdet ett rumsbörvärde. Detta ställs automatiskt in då reglerfall 4 konfigureras.

5. Tappvarmvattenreglering

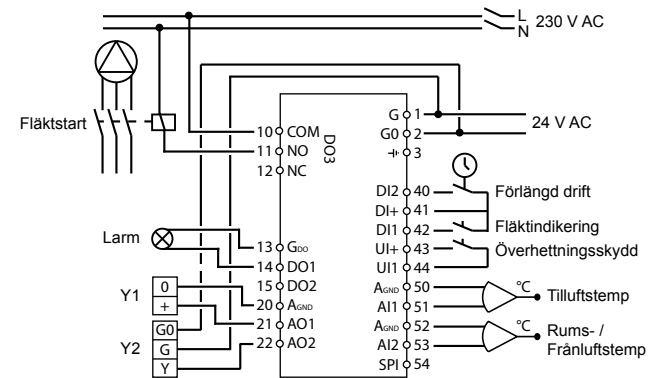
Vattentemperaturen konstanthålls genom reglering av utsignalen på AO1. En regulatorkrets med PID-reglering används.

Reglerfall 1, 2 och 3

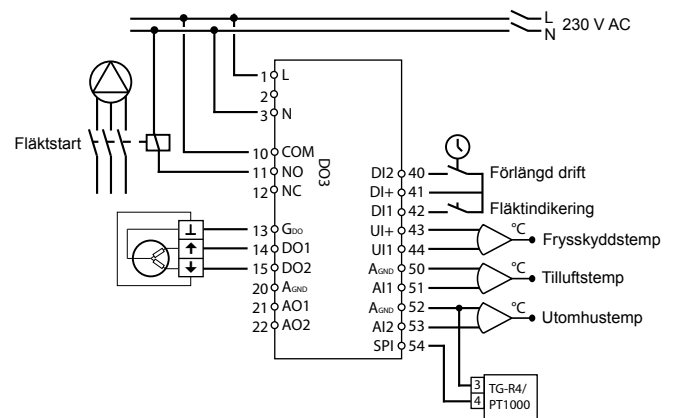
För reglerfall 1, 2 och 3 kan de analoga utgångarna konfigureras till följande kombinationer:

	AO1	AO2	Displaysymboler
1	Värme	-	☀
2	Kyla	-	❄
3	Värme	Kyla	☀ ❄
4	Värme	Värme	☀ ☀
5	Kyla	Kyla	❄ ❄
6	Värme	Spjäll	☀ ☑
7	Kyla	Spjäll	❄ ☑

OBS: För reglerfall 1, 2 och 3 måste ingången för fläktindikering (DI1) anslutas för att reglerfunktionen ska arbeta, annars genereras ett larm, AL3. Ingången måste "följa" fläktutgången, d.v.s. en slutning på utgång måste ge en slutning på ingång.



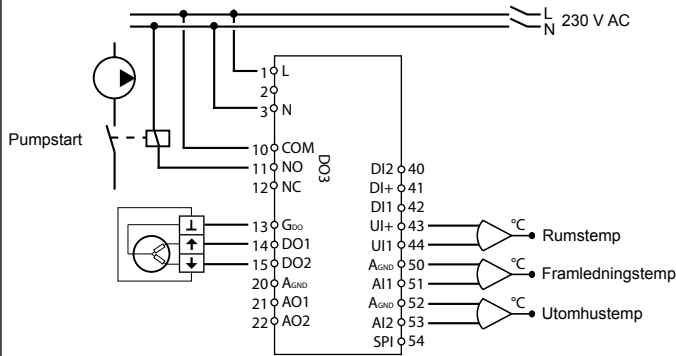
Figur 1. Inkopplingsexempel: OP10 med elvärme (till exempel via PULSER-X/D eller TTC25X) och spjäll. Kaskadreglering.



Figur 2. Inkopplingsexempel: OP10-230 med vattenvärme, 3-lägesutgång. Tilluftsreglering med utetemperaturkompensering och extern börvärdesomställare.

De digitala utgångarna är 24 V AC där GDO är gemensam och DO sluter mot G0. För OP10, DO1 och DO2, gäller att utgångarna klarar 12 VA. För OP10-230, DO1 och DO2, gäller att utgångarna klarar 3,8 VA med den interna transformatorn.

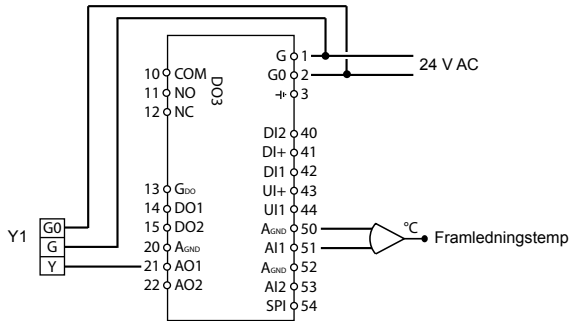
Reglerfall 4



Figur 3. Inkopplingsexempel: OP10-230 med 3-lägesställdon och rumstemperaturgivare (kan även användas utan rumstemperaturgivare).

De digitala utgångarna är 24 V AC där G_{DO} är gemensam och DO sluter mot G₀. För OP10, DO1 och DO2, gäller att utgångarna klarar 12 VA. För OP10-230, DO1 och DO2, gäller att utgångarna klarar 3,8 VA med den interna transformatorn.

Reglerfall 5



Figur 4. Inkopplingsexempel: OP10 med 0...10 V-ställdon

Displayens menysystem

Displayens menysystem är indelat i tre nivåer, konfigureringsnivån (10-sekundersnivån), nivån för klocka och tidsinställningar (3-sekundersnivån) och grundnivån.

Konfigureringsnivån (10-sekundersnivån)

Denna nivå visas första gången enheten ansluts. Man når den från Grunddisplayen (se avsnittet Grundnivån nedan) genom att hålla ratten intryckt i 10 sekunder. 10-sekundersnivån innehåller alla konfigureringsmenyerna. OBS: För att komma till 10-sekundersnivån måste man befinna sig i Grunddisplayen när man håller ratten intryckt.



Tabell 2 nedan visar hur 10-sekundersnivån är uppbyggd. Det första man ser när man kommer in i konfigureringsnivån är menybild 0. Här väljer man reglerfall. Navigera genom menyerna och reglerfallen genom att vrida och klicka på ratten.

Olika menyer visas beroende på konfiguration.

Tabell 2. Displaymenyer i 10-sekundersnivån

Meny-nivå	Reglerfall				
0	1 Tilluftsreglering [UI 1, 1.0]	2 Tilluftsregl. med utetemperaturkompensering [UI 2, 2.0]	3 Kaskadreglering [UI 3, 3.0]	4 Radiatorreglering med utomhuskompensering [UI 4, 4.0]	5 Tappvarmvattenreglering [UI 5, 5.0]
1	Typ av utgång [AO 1, 1.1]	Typ av utgång [AO 2, 2.1]	Typ av utgång [AO 3, 3.1]	Typ av utgång [AO 4, 4.1]	-
1.A	Gångtid [SP 1, 1.1]	Gångtid [SP 2, 2.1]	Gångtid [SP 3, 3.1]	Gångtid [SP 4, 4.1]	-
2	Utsignal [V 3, 1.2]	Utsignal [V 3, 2.2]	Utsignal [V 3, 3.2]	-	-
3	Neutr. zon [NZ 4, 1.3]	Neutr. zon [NZ 4, 2.3]	Neutr. zon [NZ 4, 3.3]	-	-
4	P-band [P 23, 1.4]	P-band [P 23, 2.4]	P-band [P 23, 3.4]	P-band [P 23, 4.4]	P-band [P 23, 5.4]
5	I-tid [I 16, 1.5]	I-tid [I 16, 2.5]	I-tid [I 16, 3.5]	I-tid [I 16, 4.5]	I-tid [I 16, 5.5]
6	Min.position spjäll [MIN 20, 1.6]	Min.position spjäll [MIN 20, 2.6]	Min.position spjäll [MIN 20, 3.6]	0°C temperaturhöjning [0°C 2, 4.6]	D-faktor [D 4, 5.6]

6	-	-	P-band kaskad [P 36, 5.6]	-	-
7	Funktion för ingång UI1 [UI 1, 1.7]	Funktion för ingång UI1 [UI 1, 2.7]	Funktion för ingång UI1 [UI 1, 3.7]	Pump-motionering [P-X 4, 4.7]	Överhettning [O-H 5, 5.7]
7.b	Ventilposition vid styrt stopp [VLV 1, 1.7]	Ventilposition vid styrt stopp [VLV 2, 2.7]	Ventilposition vid styrt stopp [VLV 3, 3.7]	-	-
8	-	Utgångspunkt för utekompensering [SP 5, 2.8]	Min begränsning för tilluften [MIN 17, 3.8]	Lågt börvärde (vid +20°C utetemp.) [SPL 20, 4.8]	-
9	-	Max. börvärdeskompensering (vid -20°C utetemp.) [CMP 8.5, 2.9]	Maxbegränsning för tilluften [MAX 30, 3.9]	Högt börvärde (vid -20°C utetemp.) [SPH 60, 4.9]	-
E	Externt börvärde [EXT 5, 1.8]	Externt börvärde [EXT 5, 2.8]	Externt börvärde [EXT 5, 3.8]	Externt börvärde [EXT 5, 4.8]	-
11	I/O [I/O 1, 1.1]	I/O [I/O 2, 2.1]	I/O [I/O 3, 3.1]	I/O [I/O 4, 4.1]	I/O [I/O 5, 5.1]
Meny OK	OK	OK	OK	OK	OK

Välj reglerfall i menynivå 0 genom att klicka på ratten så att symbolen "Menyn innehåller ändringsbara värden" (se avsnitt *Displaysymboler* nedan) börjar blinka, och vrid sedan på ratten. Klicka en gång till på knappen när det önskade reglerfallet visas så att symbolen "Menyn innehåller ändringsbara värden" slutar blinka.

Efter att man har valt reglerfall förflyttar man sig mellan menynivåerna genom att vrida ratten då symbolen "Menyn innehåller ändringsbara värden" inte blinkar.

I vissa fall leder ett val i en meny till att man bara ser vissa andra menyer.

Exempel: För att ställa in I-tid för reglerfall 3 (Kaskadkopplad rumsreglering / frånluftsreglering), gå till meny 3.5. Klicka på ratten. Symbolen "Menyn innehåller ändringsbara värden" börjar blinka. Ändra värdet genom att vrida ratten och bekräfta ändringen genom att klicka på ratten.

För att lämna 10-sekundersnivån, gå till Meny OK och klicka på ratten. Nivån Klocka och tidsinställningar visas. För att gå ur nivån Klocka och tidsinställningar, gå till OK-menyn efter tidsinställningsmenyerna och klicka på ratten. Du kommer då tillbaka till grundnivån.

Det finns även en time-out-funktion som gör att regulatorn automatiskt går ur konfigureringsnivån efter 5 minuters inaktivitet.

Meny 1.1, 2.1, 3.1, 4.1: Val av ställdonstyp

Vid val av 3-punktsställdon kommer en ny meny (1.A, 2.A, 3.A eller 4.A) att bli tillgänglig. Detta är gångtiden för 3-punktsställdonet.

Meny 1.7, 2.7, 3.7: Funktion för ingång U1

Det finns sex olika inställningsmöjligheter för U1: "--" (ingen funktion), "1" Frysskyddsreglering AO1, "2" Frysskyddsreglering AO2, "3" Överhettningsskydd, "4" Frysskyddstermostat AO1, "5" Frysskyddstermostat AO2. Om frysskyddsreglering önskas vid användning av 3-lägesställdon ska U1 ställas till "1" eller "4". Väljer man att använda sig av 3-lägesställdon går det inte att samtidigt använda larmutgången.

Lagring av inställningar

Alla konfigureringsinställningar är giltiga så snart de har valts genom ett klick på ratten. De skrivs dock inte till flashminnet förrän man lämnar konfigureringsnivån via OK-menyn eller time-out-funktionen.

För att lämna konfigureringsnivån utan att spara ändringarna till flashminnet, bryt matningsspänningen när du fortfarande befinner dig i konfigureringsnivån. Alla värden kommer bevaras som de var innan du gick in i konfigureringsnivån.

Se "Optigo OP10 Manual" för mer information om konfigureringsmenyerna i 10-sekundersnivån. Manualen kan laddas ner från www.regin.se.

Nivån för Klocka och tidsinställningar (3-sekundersnivån)

Denna nivå når man från grundnivån genom att hålla ratten intryckt i 3 sekunder. Menyerna för att ställa in klocka och drifttider finns i 3-sekundersnivån. Tidsinställningar kan enbart göras för reglerfall 1, 2, 3 och 4. OBS: För att komma till 3-sekundersnivån måste man befinna sig i Grunddisplayen när man håller ratten intryckt.



Detta är ett exempel på en display som visar att klockan är 13:48 och att det är fredag, den femte dagen i veckan. För att ställa klockan, klicka på ratten så att veckodagsnumret börjar blinka. Vrid på ratten tills rätt dag visas (måndag har 1, tisdag 2 etc.). Klicka en gång till på ratten för att bekräfta. Timmarna börjar nu blinka. Ställ in dem på samma sätt. Ställ till sist in minuterna. Efter att du har bekräftat minuterna visas den första av tidsinställningsmenyerna.

OBS: Klockan är inte års- eller datumbaserad och ställs inte automatiskt om till sommartid.

Det finns 4 ON-punkter och 4 OFF-punkter. Varje punkt har sin egen menysida, där 0.1, 0.3, 0.5 och 0.7 är ON-punkter och 0.2, 0.4, 0.6 och 0.8 är OFF-punkter.

Reglerfall 1, 2 och 3

För reglerfall 1-3, startar ON-punkterna enheten och OFF-punkterna stänger av den.

Exempel: Regulatorn ska gå från måndag till och med fredag mellan 07:30 och 18:00, lördag mellan 8:00 och 14:00. Sätt den första till-tiden till dag 8 (vilket motsvarar alla dagar från måndag till och med fredag) och 7:30, den första från-tiden till dag 8 och 18:00. Sätt den andra till-tiden till dag 6 (veckans sjätte dag) och 8:00 och den andra från-tiden till dag 6 och 14:00. Sätt övriga menyer till dag -- (menyer som inte används).

Efter de åtta omkopplingsmenyerna finns en nionde meny, 0.9. Här visas den aktuella utgångsstatusen för tidsinställningarna och det går att handöverbstyra inställningarna. Om man till exempel ändrar omkopplaren från ON till OFF kommer den att vara från tills man manuellt ändrar tillbaka den till ON, eller till nästa ON-punkt.

Efter tidsinställningsmenyerna finns det en sista meny, OK. Klickar man på ratten här så går man ur nivån Klocka och tidsinställningar och kommer tillbaka till Grunddisplayen.

Reglerfall 4

Reglerfall 4 använder tidsinställningarna för att växla till ekonomiläge (ECO). Temperaturen sänks då med ett inställbart antal grader. I detta fall gör ON-punkterna att enheten växlar till ECONomiperioden och OFF-punkterna att den går tillbaka till komforttemperaturen.

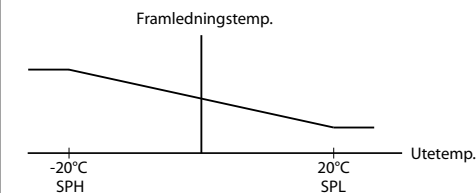
Exempel: Temperaturen ska börja stiga varje veckodagsmorgon klockan 06:00 och hålla sig på komfortnivå till 21:00. På lördagar och söndagar ska temperaturen hålla sig på en hög nivå från 07:00 till 23:30.

Sätt den första till-tiden till dag 8 och 21:00, den första från-tiden till dag 8 och 06:00. Sätt den andra till-tiden till dag 6 och 23:30 och den andra från-tiden till dag 6 och 07:00. Sätt den tredje till-tiden till dag 7 och 23:30 och den tredje från-tiden till dag 7 och 07:00.

Efter de åtta omkopplingsmenyerna finns en nionde meny, 0.9. I denna meny kan man ställa in antalet grader som börvärdet för rumstemperaturen ska sänkas med under ekonomiperioderna. Om ingen rumsgivare är ansluten kommer framledningbörvärdet att sänkas med det inställda värdet gånger 3.

Efter tidsinställningsmenyerna finns det en sista meny, OK. Klickar man på ratten här så går man ur nivån Klocka och tidsinställningar och kommer tillbaka till Grunddisplayen.

Utekompenisering

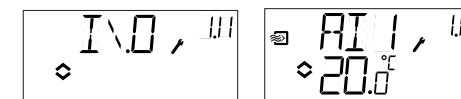


Grundnivån

Grunddisplayen visas när det inte är någon operatörsaktivitet.



I/O: Genom att vrida ratten moturs när man befinner sig i Grunddisplayen, tills texten I/O visas, och därefter klicka på ratten, kommer man till en meny där man kan se in- och utgångarnas värden och status. För att lämna denna meny, klicka på ratten och vrid den sedan medurs. Du kommer då tillbaka till Grunddisplayen.



Börvärde: När man befinner sig i Grunddisplayen och klickar på ratten kommer man direkt till Börvärdesmenyn. Klicka igen på ratten för att ändra börvärdet. Symbolen "Menyn innehåller ändringsbara värden" börjar blinka. Ändra värdet genom att vrida på ratten och bekräfta värdet genom att klicka på ratten.



Från och med revision R20 finns det möjlighet att antingen använda en extern PT1000 bövrädesomställare eller att sätta bövrädet via displayen. Externt bövräde kan endast användas för reglerfall 1-4. För reglerfall 4 krävs även en rumsgivare. För val av internt eller externt bövräde gå till meny 1.E, sätt EXT SP till ON för externt bövräde eller OFF för internt. När extern bövrädesomställare används kan man endast se aktuellt bövräde i bövrädesmenyn.



Konfigureringsmeny:
val av externt eller
internt bövräde



I/O-meny: SPI vald,
ärvärdet visas

Beräknat bövräde: I reglerfall med utetemperaturkompensering eller kaskadreglering arbetar regulatort inte mot det inställda bövrädet utan mot ett beräknat bövräde som är beroende av utetemperatur eller, vid kaskadreglering, rumstemperaturen. Genom att vrida ratten medurs när man befinner sig i Grunddisplayen visas det beräknade bövrädet.



Reglerfall 2

Tilluftreglering med
utetempkompen-
sering



Reglerfall 3

Kaskadkopplad
rumsreglering



Reglerfall 4

Radiatorreglering
med utetemp-
kompensering

Larmhantering: Om det finns aktiva larm kommer man istället till larmhanteringsmenyerna när man klickar på ratten. Här kan man se och kvittera alla larm. Det finns en menysida för varje larm med symboler som visar vilken typ av larm som har aktiverats. Om det finns aktiva, okvitterade larm tänds larmindikeringen i grunddisplayen och börjar blinka. DO1 aktiveras som summalarmsutgång om inte 3-punktställdon används.

Det finns fyra olika typer av larm:

- AL1** Frysskyddslarm. Frysskyddstemperaturen har sjunkit under 7°C. Frysskyddstemperaturerna är fasta värden. Frysskyddsreglering börjar vid 12°C, alternativt när frysskyddstermostaten har löst ut och ingången UI1 är öppen.
- AL2** Aktiverat överhettningsskydd.

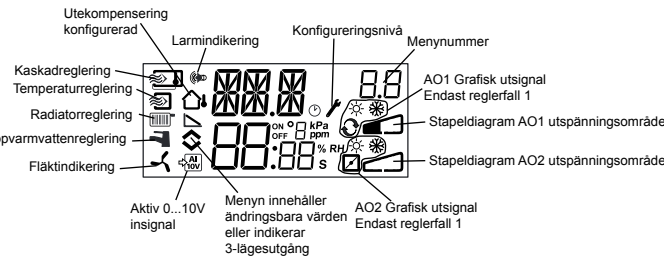
AL3 Fläktindikeringslarm. Antingen är det ingen fläktindikeringsignal på DI1 när fläktstartutgången DO3 är aktiv, eller så är DI1 aktiv trots att det inte är någon fläktstartsignal på DO3. Fläktlarmet har en fördröjning på 30 sekunder.

AL4 Givarfel. En givaringång är öppen. En symbol visar vilken typ av larm som har utlösts. En snöflinga indikerar AL1, en sol AL2, en fläkt AL3 och en ingångssymbol AL4. Om det finns flera larm i listan bläddrar man mellan dem genom att vrida på ratten. För att kvittera ett larm, klicka på ratten så att du kommer till ändringsläget. Vrid sedan ratten för att ändra No till Yes och bekräfta genom att klicka på ratten.



Ett larm ligger kvar i larmlistan tills det är kvitterat och larmorsaken har försvunnit. Larmindikeringen i grunddisplayen lyser så länge det finns larm kvar i larmlistan. Den blinkar dock endast så länge det finns okvitterade larm i listan. Därefter lyser den med fast sken tills larmorsaken för alla larm har försvunnit. Om DO1 används som larmutgång kommer den att vara aktiverad så länge det finns okvitterade larm i larmlistan. DO1 kan inte användas som larmutgång vid 3-lägesreglering. Se "Optigo OP10 Manual" för mer information om larmhantering. Manualen kan laddas ner från www.regin.se.

Displaysymboler



Återställning till fabriksinställning

OP10 kan återställas till fabriksinställning genom att man konfigurerar Tappvarmvattenreglering (reglerfall 5) och sätter D-faktorn till 99. Gå till grunddisplayen. Bryt sedan strömförsörjningen. När strömmen släpps på igen har alla konfigurerings- och tidsinställningar återställts till fabriksinställning.



EMC emissions- och immunitetsstandard

Produkten uppfyller kraven i EMC-direktivet 2004/108/EG genom standard EN 61000-6-1 och EN 61000-6-3.

LVD, lågspänningsdirektivet

OP10-230 uppfyller kraven för gällande europeiska LVD-standard 60730-1 och EN 60730-2-9.

RoHS

Produkten uppfyller Europaparlamentets och rådets direktiv 2011/65/EU.

Teknisk support

Teknisk hjälp och råd på telefon: 031 720 02 30

Kontakt

AB Regin, Box 116, 428 22 Källered
Tel: +46 31 720 02 00, Fax: +46 31 720 02 50
www.regin.se, info@regin.se

ANLEITUNG OPTIGO OP10, OP10-230



Diese Anleitung vor Montage und Anschluss des Produktes bitte durchlesen.



Dieses Symbol macht auf eventuelle Gefahren bei der Handhabung des Produkts und der in der Dokumentation nachzulesenden Maßnahmen aufmerksam.

Regler mit Display

Optigo OP10 ist ein vorprogrammierter, konfigurierbarer Regler. Er verfügt über 10 Ein-/Ausgänge und kann für die Temperaturregelung (Lüftungsregelung mit Heizen und Kühlen), Heizkreis mit witterungsgeführter Regelkurve oder Brauchwarmwasserregelung konfiguriert werden.

Ab Version R20 kann ein externer Sollwertgeber angeschlossen werden. Der Regler kann in den Regelmodi 1 – 4 verwendet werden. OP10 ist in zwei Ausführungen erhältlich, OP10 mit 24 V AC Versorgungsspannung und OP10-230 mit 230 V AC Versorgungsspannung.

Sämtliche Einstellungen und Konfigurationen werden über das Display und den Drückdrehknopf direkt am Regler ausgeführt.

Technische Daten

Versorgungsspannung

OP10-230	230 V AC +10/-15 %, 50/60 Hz
OP10	24 V AC ±15 %, 50/60 Hz

Leistungsaufnahme 4 VA

Umgebungstemperatur 0...50 °C

Raumfeuchte Max. 95 % rel.F.

Lagertemperatur -20...70 °C

Display numerisch / grafisch, Hintergrundbeleuchtung.

Eingänge Siehe Anschluss-Abbildungen und Tabelle unten

Klemmleisten Steckbar, Lift-Typ für Kabelquerschnitte 2,5 mm²

Schutzart IP20

Material, Gehäuse Polykarbonat, PC

Gewicht

OP10-230 370 g einschl. Klemmen

OP10 215 g einschl. Klemmen

Abmessungen 122 x 120 x 64 mm (BxHxT einschl. Klemmen)

Überspannungskategorie 3

Schadstoffbelastungsgrad 2

Eingänge

AI	Auflösung: 10 bit A/D
AI1	PT1000-Fühler, Bereich 5...80 °C
AI2	PT1000-Fühler, Bereich -30...+50 °C
SPI	Sollwertgeber mit PT1000-Kennlinie, Bereich 0...40 °C
UI	
AI	PT1000, Bereich 0...80 °C
oder DI	Potentialfreier Schließkontakt
A _{GN} D	Referenz für AI1
UI+	Referenz für UI
DI	Potentialfreier Schließkontakt
DI+	Referenz für DI

Ausgänge

AO	0...10 V DC; 8 bit D/A kurzschlussgeschützt
DO1 und DO2 (OP10)	Triac, 24 V AC, 0,5 A kontinuierlich (verbunden mit G0)
DO1 und DO2 (OP10-230)	Triac 24 V AC, 0,16 A kontinuierlich mit internem Trafo (verbunden mit G0)
DO3	Change-over (SPDT) Relais 230 V AC, 1000 VA
GDO	Referenz für DO1 und DO2. 24 V AC Ausgang

Sollwerte

	Temperatur	Werkseinstellung
Zuluft	10...80 °C	21 °C
Kaskadenregelung, Raum	10...50 °C	21 °C
Heizkreisregelung	10...40 °C	21 °C
(nur bei Einsatz eines Raumfühlers)		
Externer Sollwert	0...40 °C	
Brauchwarmwasser	10...80 °C	55 °C
Neutrale Zone	0...10 °C	1 °C
P-Band	0...99 °C	15 °C
I-Zeit	0...990 s	60 s
D-Faktor	0...99	0
P-Band Kaskade	0,5...99 °C	15 °C
Min. an Kaskade	0...99 °C	15 °C
Max. an Kaskade	0...99 °C	25 °C
Grenzwert Min. Klappen	0...99 %	10 %
Start		
witterungsgef.Regelung	-30...50 °C	10 °C
witterungsgef.Regelung bei -20°C Außentemp	-10...10 °C	5 °C
Vorlauftemperatur (Heizkreis)		
bei -20° C Außentemp.	0...99 °C	60 °C
bei 20° C Außentemp.	0...99 °C	20 °C

OPTIGO OP10

Frostschutz	7 °C (fest)	
SW. Abschaltmodus	25 °C (fest)	
Laufzeit,		
3-Punkt Stellantrieb	10...300 s	120 s
Frostschutzthermostat		
Ausgang Heizen	0...100%	25 %



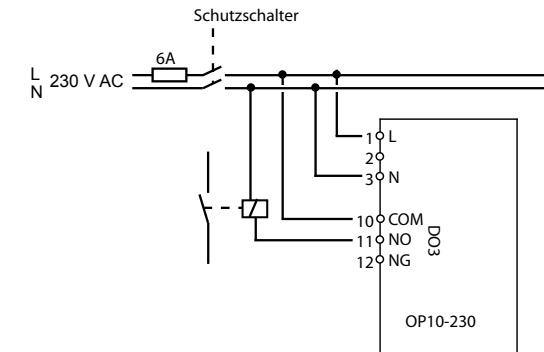
Installation

Der Regler OP10-230 muss in ein Gehäuse (DIN-Gehäuse o.Ä.) installiert werden, damit bei der Verwendung keine Stromschlaggefahr besteht und die LVD-Anforderungen erfüllt werden. Siehe hierzu den Abschnitt Installation im "Optigo OP10 Benutzerhandbuch", welches unter www.regincontrols.de heruntergeladen werden kann.



Netztrennung

Der Regler OP10-230 muss an einen Schalter oder Unterbrecher in der Gebäudeinstallation angeschlossen werden. Dieser Schalter muss sich in unmittelbarer Nähe des Reglers befinden, für den Benutzer leicht zugänglich und als Trennschalter für die Anlage gekennzeichnet sein.



Überstromschutz

Der Regler OP10-230 muss in der Gebäudeinstallation durch eine Sicherung abgesichert sein. Die Maximallast des Reglers, 1000 VA, erfordert eine Sicherung von 6 A.

Siehe Tabelle 1 für die Verbindungsanschlüsse.

Tabelle 1. Ein-/Ausgänge Anschlussklemmen

Klemme	Bezeichnung	Funktion
1	G	24 V AC Nur Optigo 10
2	G0	
3	— —	
1	L	230 V AC Nur Optigo 10-230
2		
3	N	
10	Masse	DO3 Relais 230 V AC, 1000 VA
11	NO	
12	NG	
13	GDO	Referenz für DO1 und DO2
14	DO1	Digitalausgang
15	DO2	Digitalausgang
20	AGnd	Referenz für AO1 und AO2
21	AO1	0...10 V DC Ausgang
22	AO2	0...10 V DC Ausgang
40	DI2	Digitaleingang
41	DI+	Referenz für DI1 und DI2
42	DI1	Digitaleingang
43	UI+	Referenz für UI1
44	UI1	Universaleingang PT1000 oder Digital
50	AGnd	Referenz für AI1
51	AI1	Eingang PT1000 Temperaturfühler
52	AGnd	Referenz für AI2
53	AI2	Eingang PT1000 Temperaturfühler
54	SPI	Eingang PT1000 Sollwertgeber

Zum besseren Schutz vor Störungen sollte für den Fühleranschluss ein geschirmtes TP Kabel verwendet werden. Die Schirmung ist an einer Seite zu erden.

Reglerfunktionen

Optigo kann für folgende Reglerfunktionen konfiguriert werden:

1. Zulufttemperaturregelung

Der Istwert wird durch die Ansteuerung der Ausgänge AO1 und AO2 auf dem Sollwert gehalten. Ein PI Regelkreis wird verwendet. Der Fühler muss an AI1 angeschlossen sein, selbst wenn nur ein Raumfühler verwendet wird.

2. Außentemperaturgeführte Zulufttemperaturregelung

Der Istwert wird durch die Ansteuerung der Ausgänge AO1 und AO2 auf dem Sollwert gehalten. Ein PI Regelkreis wird verwendet. Der Sollwert wird automatisch in Abhängigkeit der Außentemperatur gebildet.

3. Kaskaden-Zulufttemperaturregelung mit Raum- /Ablufttemperatureinfluss

Eine Abweichung der Raumtemperatur bestimmt den Sollwert der Zulufttemperatur und vermeidet damit Raumtemperaturschwankungen. Regelkreise mit PI-Regelung werden verwendet. Die Zulufttemperatur kann minimal und maximal begrenzt werden. Ein Zulufttemperaturfühler und ein Raum-/Abluffühler muss verwendet werden.

4. Heizkreisregelung mit Heizkennlinie

Der Sollwert der Vorlauftemperatur verändert sich je nach Außentemperatur. Ein PI-Regelkreis wird verwendet. Es kann ein Raumtemperaturfühler angeschlossen werden, um bei Abweichungen eine Sollwertkorrektur zu ermöglichen. Ohne den Einsatz eines Raumtemperaturfühlers wird die Regelkurve parallel verschoben und der Sollwert so verändert. Bei Verwendung eines Raumfühlers ist der Sollwert ein Raumsollwert. Bei der Konfiguration des Regelmodus 4 wird dieser automatisch eingestellt.

5. Brauchwarmwasserregelung

Die Vorlauftemperatur wird durch die Ansteuerung des Ausgange AO1 konstant gehalten. Ein PI Regelkreis wird verwendet.

Regelmodi 1, 2 und 3

Für die Regelmodi 1, 2 und 3 können die analogen Ausgänge für folgende Kombinationen konfiguriert werden:

	AO1	AO2	Displaysymbole
1	Heizen	-	☀
2	Kühlen	-	☁
3	Heizen	Kühlen	☀ ☁
4	Heizen	Heizen	☀ ☀
5	Kühlen	Kühlen	☁ ☁
6	Heizen	Klappen	☀ ☑
7	Kühlen	Klappen	☁ ☑

Hinweis: Für Regelmodi 1, 2 und 3 muss der Eingang für die Ventilatorbetriebsmeldung (DI1) angeschlossen sein, um die Reglerfunktion zu starten, da sonst der Alarm AL3 angezeigt wird. Der Eingang muss dem Ventilatorausgang "folgen", d.h. wird der Ausgang geschlossen, muss auch der Eingang geschlossen sein.

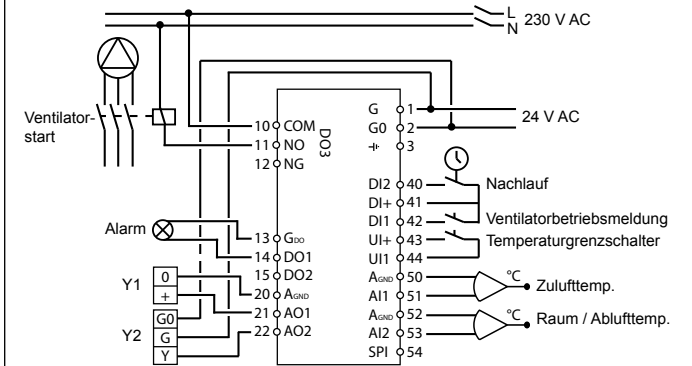


Abb. 1. Klemmenbelegung: OP10 mit Heizer (elektrisch) (z. B. über PULSER-X/D oder TTC25X) und Klappen. Kaskadenregelung.

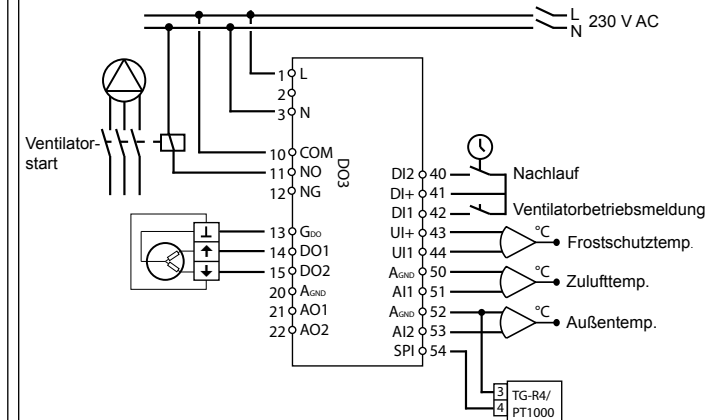


Abb. 2. Klemmenbelegung: OP10-230 mit Heizer (Wasser), 3-Punkt-Ausgang. Außentemperaturgeführte Zulufttemperaturregelung mit externem Sollwertgeber. Die Digitalausgänge sind 24 V AC, GDO ist die Masse und DO ist verbunden mit G0. Bei OP10 können die Ausgänge DO1 und DO2 12 VA leisten. Bei OP10-230 können die Ausgänge DO1 und DO2 unter Verwendung eines internen Transformators 3,8 VA leisten.

Regelmodus 4

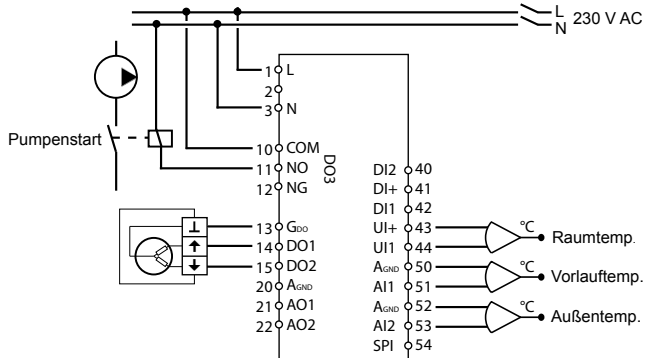


Abb. 3. Klemmenbelegung: OP10-230 mit 3-Punkt-Stellantrieb und Raumtemperaturfühler (Verwendung auch ohne Raumfühler möglich). Die Digitalausgänge sind 24 V AC, GDO ist Masse und DO ist verbunden mit G0.

Bei OP10 können die Ausgänge DO1 und DO2 12 VA leisten.
Bei OP10-230 können die Ausgänge DO1 und DO2 unter Verwendung eines internen Transformators 3,8 VA leisten.

Regelmodus 5

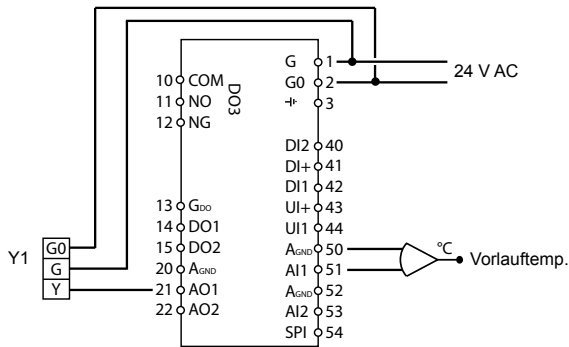


Abb. 4. Klemmenbelegung: OP10 mit 0...10 V Stellantrieb

Das Display-Menüsystem

Das Display-Menüsystem ist in drei Untermenüs aufgeteilt, das Konfigurationsmenü (10-Sekunden-Menü), das Uhr- und Zeitplanmenü (3-Sekunden-Menü) und das Basismenü.

Das Konfigurationsmenü (10-Sekunden-Menü)

Dieses Menü wird beim Erststart des Reglers angezeigt. Das Menü wird über das Basismenü aufgerufen (siehe Abschnitt *Das Basismenü* unten), indem der Drehknopf für 10 Sekunden gedrückt wird. Im 10-Sekunden-Menü befinden sich sämtliche Konfigurationsmenüs. Hinweis: Um das 10-Sekunden-Menü zu erreichen, muss der Regler bei Drücken den Drehknopfs das Basismenüdisplay anzeigen.

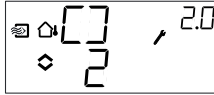


Tabelle 2 unten zeigt die Anordnung des 10-Sekunden-Menüs. Wenn das 10-Sekunden-Menü aufgerufen wird, erscheint Konfigurationsmenü 0. Hier wird der Regelmodus ausgewählt. Die Navigation durch Menüs und Regelmodi erfolgt durch Drehen und Drücken des Drehknopfes. Verschiedene Menüs werden je nach Konfiguration angezeigt.

Tabelle 2 Displaymenüs des 10-Sekunden-Menüs

Menüebene	Regelmodi				
	1	2	3	4	5
	Zulufttemperaturregelung	Außentemp. gef. Zulufttemperaturregelung	Kaskadenregelung	Heizkreisregelung mit Heizkennlinie	Brauchwarmwasserregelung
0					
1	Ausgangstyp 	Ausgangstyp 	Ausgangstyp 	Ausgangstyp 	-
1.A	Laufzeit 	Laufzeit 	Laufzeit 	Laufzeit 	-
2	Ausgangssignal 	Ausgangssignal 	Ausgangssignal 	-	-
3	neutrale Zone 	neutrale Zone 	neutrale Zone 	-	-
4	P-Band 	P-Band 	P-Band 	P-Band 	P-Band
5	I-Zeit 	I-Zeit 	I-Zeit 	I-Zeit 	I-Zeit
6	Klappen, Min.-Position 	Klappen, Min.-Position 	Klappen, Min.-Position 	0° C Temperaturanstieg 	D-Faktor

6	-	-	P-Band Kaskade 	-	-
7	Funktion für Eingang UI1 	Funktion für Eingang UI1 	Funktion für Eingang UI1 	Blockierschutz Pumpe 	Überhitzung
7.b	Ventilposition bei geschlossen 	Ventilposition bei geschlossen 	Ventilposition bei geschlossen 	-	-
8	-	Startpunkt außentemp. Begrenzung 	min. Begrenzung Zuluft 	niedriger Sollwert (bei +20° Außentemp) 	-
9	-	max. Kompensation (-20° Außentemp) 	max. Begrenzung Zuluft 	hoher Sollwert (bei -20° Außentemp) 	-
E	externer Sollwert 	externer Sollwert 	externer Sollwert 	externer Sollwert 	-
11	I/O 	I/O 	I/O 	I/O 	I/O
Menü OK					

Der Regelmodus wird in Menüebene 0 durch Drücken des Drehknopfes ausgewählt, so dass das Symbol "Menü mit veränderbaren Werten" (siehe Abschnitt *Displaysymbole* unten) zu blinken beginnt, danach den Knopf drehen, bis der gewünschte Regelmodus angezeigt wird. Danach muss der Knopf erneut gedrückt werden, damit das Symbol "Menü enthält veränderbare Werte" aufhört zu blinken.

Wurde der Regelmodus ausgewählt und das Symbol "Menü mit veränderbaren Werten" blinkt nicht mehr, kann durch Drehen des Knopfes zwischen den Menüebenen gewechselt werden. In einigen Fällen werden durch bestimmte Eingaben in einem Menü nicht alle weiteren Menüs gezeigt.

Beispiel: Um die I-Zeit im Regelmodus 3 (Kaskadenregelung / Ablufttemperaturregelung) einzustellen, muss Menü 3.5 eingestellt werden. Den Drehknopf drücken. Das Symbol "Menü mit veränderbaren Werten" beginnt zu blinken. Den Wert durch Drehen des Knopfes ändern und die Änderung durch Drücken des Knopfes bestätigen. Um das 10-Sekunden-Menü zu verlassen, muss auf Menü OK gewechselt und der Knopf gedrückt werden. Das Uhr- und Zeitplanmenü wird angezeigt. Um das Uhr- und Zeitplanmenü zu verlassen, muss auf Menü OK gewechselt und der Knopf gedrückt werden. Danach wird wieder das Basisdisplay angezeigt. Das Konfigurationsmenü wird automatisch nach 5 Minuten Inaktivität verlassen.

Menü 1.1, 2.1, 3.1, 4.1 : Wahl des Stellantriebs

Wenn ein Stellantrieb mit 3-Punkt-Ansteuerung gewählt wird, erscheint ein neues Menü: 1.A, 2.A, 3.A oder 4.A. Dieses Menü zeigt die Motorlaufzeit des Stellantriebes für das 3-Punkt-Stellsignal an.

Menü 1.7, 2.7, 3.7: Funktion für Eingang U11

Es gibt 6 verschiedenen Einstelloptionen für U11: „—“ (keine Funktion), „1“ Frostschutz AO1, „2“ Frostschutz AO2, „3“ Sicherheitstemperebegrenzer, „4“ Frostschutzthermostat AO1, „5“ Frostschutzthermostat AO2. Ist Frostschutz bei der Verwendung eines Dreipunktantriebes erwünscht, muß UO1 auf „1“ oder „4“ gestellt werden. Wird ein Dreipunktantrieb eingesetzt, kann der Alarmausgang nicht genutzt werden.

Speichern der Einstellungen

Alle Konfigurationseinstellungen sind nach Drücken des Drehknopfes festgelegt. Die Übertragung in den Flashspeicher geschieht erst, wenn das Konfigurationsmenü über das OK-Menü oder bei Inaktivität verlassen wird.

Um das Konfigurationsmenü zu verlassen, ohne die Änderungen im Flashspeicher zu speichern, ist die Stromversorgung noch im Konfigurationsmenü zu unterbrechen. Alle Werte entsprechen dann denen vor Aufrufen des Konfigurationsmenüs.

Für weitere Informationen über das Konfigurationsmenü im 10-Sekunden-Menü, siehe das "Optigo OP10 Handbuch". Das Handbuch kann unter www.regincontrols.de heruntergeladen werden.

Uhr- und Zeitplanmenü (3-Sekunden-Menü)

Das Menü wird über das Basismenü aufgerufen, indem der Drehknopf für 3 Sekunden gedrückt wird. Im 3-Sekunden-Menü befinden sich alle Menüs zur Einstellung von Uhr und Zeitplanprogramm. Die Zeitplanfunktion ist nur für Regelmodi 1, 2, 3 und 4 verfügbar. Hinweis: Um das 3-Sekunden-Menü aufzurufen, muss der Regler bei Drücken den Drehknopfs das Basismenüdisplay anzeigen.



Das Displaybeispiel zeigt die Uhrzeit (13:48 Uhr) und den Wochentag (Freitag, der 5. Tag der Woche) an. Um die Uhr einzustellen, wird der Knopf gedrückt. Die Zahl des Wochentags beginnt zu blinken. Den Knopf drehen, bis der entsprechende Wochentag angezeigt wird (Montag = 1, Dienstag = 2 usw.). Die Eingabe durch erneutes Drücken bestätigen. Danach blinkt die Stundenanzeige. Die Einstellung erfolgt ebenfalls durch Drehen und Drücken des Knopfes (zuerst Stunden, dann Minuten). Nach der Bestätigung der Zeitangabe, wechselt das Menü zum ersten Zeitplanmenü. Hinweis: Die Uhr ist nicht jahres- oder datumsabhängig und stellt nicht automatisch auf Sommer-/Winterzeit um.

Es gibt vier Einschalt- und vier Ausschalt-Punkte. Jeder Punkt hat ein eigenes Menü, wobei 0.1, 0.3, 0.5 und 0.7 EIN-Punkte und 0.2, 0.4, 0.6 und 0.8 AUS-Punkte sind.

Regelmodi 1, 2 und 3

Für Regelmodi 1-3 starten die EIN-Punkte das Gerät; die AUS-Punkte schalten es ab.

Beispiel: Der Regler soll von Montag bis Freitag von 07:30 bis 18:00 und Samstags von 8:00 bis 14:00 laufen: Hierzu wird die erste EIN-Zeit auf Tag 8 (d.h. täglich von Montag bis Freitag) und 7:30, die erste AUS-Zeit auf Tag 8 und 18:00 gestellt. Die zweite EIN-Zeit wird auf Tag 6 (Samstag = 6. Tag der Woche) und 08:00, die zweite AUS-Zeit auf Tag 6 und 14:00 gestellt. Alle weiteren Tage in den Menüs werden auf -- (nicht verwendete Menüs) gestellt.

Nach den insgesamt acht Schaltpunktmenüs (4 EIN, 4 AUS) gibt es noch ein neuntes Menü, 0.9. Hier wird der aktuelle Ausgangsstatus der Zeitpläne angezeigt, und hier ist es auch möglich, Einstellungen manuell zu ändern. Wird z.B. der Schalter als EIN angezeigt und manuell auf AUS gestellt, verbleibt er solange AUS, bis er entweder manuell wieder auf EIN gestellt wird oder die Schaltuhr den nächsten EIN-Punkt erreicht. Nach den Zeitplanmenüs gibt es noch ein letztes Menü, OK. Durch Drücken des Knopfes wird hier das Uhren- und Zeitplanmenü verlassen

und das Basisdisplay wieder angezeigt.

Regelmodus 4

Regelmodus 4 verwendet den Zeitplaner, um auf Nachtabsenkung (ECO) umzuschalten, in welchem die Temperatur um eine einstellbare Gradzahl gesenkt wird. Die EIN-Punkte schalten die Nachtabsenkung (ECO) ein; die AUS-Punkte schalten auf Komfort-Temperatur zurück.

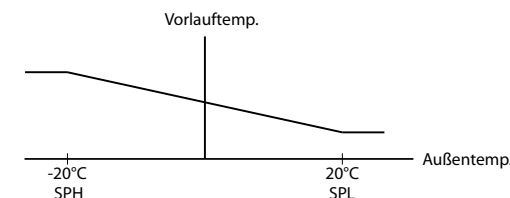
Beispiel: Die Temperatur soll an jedem Wochentag morgens um 06:00 Uhr ansteigen und auf Komfortniveau bis abends um 21:00 gehalten werden. Samstags und Sonntags soll die Höchsttemperatur zwischen 07:00 und 23:30 gehalten werden.

Hierzu wird die erste EIN-Zeit auf Tag 8 und 21:00 gestellt, die erste AUS-Zeit auf Tag 8 und 06:00. Die zweite EIN-Zeit wird auf Tag 6 und 23:30, die zweite AUS-Zeit auf Tag 6 und 07:00 gestellt. Die dritte EIN-Zeit wird auf Tag 7 und 23:30, die dritte AUS-Zeit auf Tag 7 und 07:00 gestellt.

Nach den insgesamt acht Schaltpunktmenüs (4 EIN, 4 AUS) gibt es noch ein neuntes Menü, 0.9. In diesem Menü wird eingestellt, um wieviel Grad Celsius der Raumtemperatursollwert während der Nachtabsenkung gesenkt werden soll. Falls kein Raumfühler angeschlossen ist, wird der Sollwert der Vorlauftemperatur um den dreifachen Einstellwert verringert.

Nach den Zeitplanmenüs gibt es noch ein letztes Menü, OK. Die Menüebene wird hier durch Drücken des Knopfes verlassen und das Basisdisplay wieder angezeigt.

Witterungsgeführte Regelung



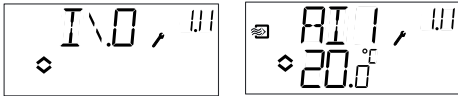
Das Basismenü

Falls keine Eingaben erfolgen, wird das Basisdisplay angezeigt.



Ein-/Ausgänge (I/O): Das Menü, in dem die Ein- und Ausgänge und deren Status abgelesen werden kann, wird erreicht, indem der Knopf gegen den Uhrzeigersinn gedreht wird, bis im Display der Text „I/O“

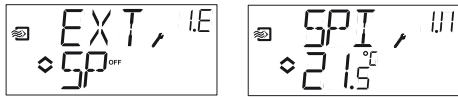
erscheint. Zum Verlassen des Menüs den Knopf drücken und im Uhrzeigersinn drehen. Das Basismenü erscheint erneut.



Sollwert: Das Sollwert-Menü kann durch Drücken des Knopfes im Basisdisplay direkt aufgerufen werden. Zur Änderung des Sollwerts wird der Drehknopf erneut gedrückt. Das Symbol "Menü enthält veränderbare Werte" beginnt zu blinken. Den Wert durch Drehen des Knopfes ändern und die Änderung durch Drücken des Knopfes bestätigen.



Ab Version R20 kann entweder ein externer Sollwertgeber mit PT1000-Kennlinie angeschlossen oder der Sollwert über das Display verändert werden. Externe Sollwerte können nur für Regelmodus 1-4. verwendet werden. Für Regelmodus 4 wird auch ein Raumfühler benötigt. Der externe oder interne Sollwert wird durch Einstellung von EXT SP auf EIN (extern) oder AUS (intern) im Menü 1.E festgelegt. Bei Verwendung eines externen Sollwertgebers wird nur der aktuelle Sollwert im Sollwert-Menü angezeigt.



Konfigurationsmenü:
Wahl des externen oder internen Sollwerts

Menü EIN/AUS (I/O) SPI
ausgewählt, der aktuelle Wert wird angezeigt

Berechneter Sollwert: Bei Regelungen mit witterungsgeführter Vorlauftemperaturregelung oder Kaskadenregelung arbeitet der Regler nicht mit einem festen, sondern mit einem temperaturabhängigen Sollwert. Dieser ist abhängig von der Außentemperatur oder, bei Kaskadenregelung, von der Raumtemperatur. Der berechnete Sollwert wird durch Drehen des Knopfes im Uhrzeigersinn angezeigt.



Regelmodus 2

außentemperatur-
geführte Zuluft-
regelung

Regelmodus 3

Kaskadenregelung

Regelmodus 4

Heizkreisregelung

Alarmbehandlung: Bei aktiven Alarmen, wird das Alarmmenü durch Drücken des Drehknopfes aufgerufen. Hier werden die Alarme angezeigt und können quittiert werden. Jeder Alarm hat ein Menüdisplay mit Symbolen, die die Art des Alarms anzeigen.

Bei aktiven, nicht quittierten Alarmen leuchtet die Alarmanzeige im Basisdisplay auf und fängt an zu blinken. DO1 wird als Sammelalarmausgang aktiviert, wenn kein 3-Punkt-Stellantrieb verwendet wird. Es gibt vier verschiedene Alarmtypen:

- AL1** Frostschutzalarm. Die Frostschutztemperatur ist unter 7 °C gesunken. Die Frostschutztemperatur hat einen festen Wert. Der stetige Frostschutz startet bei 12 °C, alt. wenn der Frostschutzwächter auslöst und der Eingang UI1 offen ist.
- AL2** Sicherheitstemperaturbegrenzer aktiviert.
- AL3** Alarm Ventilatorbetriebsmeldung. Entweder gibt es kein Ventilatorbetriebssignal an DI1 bei aktivem Ventilatorstartausgang DO3 oder DI1 ist aktiv, obwohl es an DO3 kein Ventilatorstartsignal gibt. Der Ventilatoralarm hat eine Verzögerung von 30 Sekunden.
- AL4** Fühlerfehler. Ein Fühlereingang ist offen.

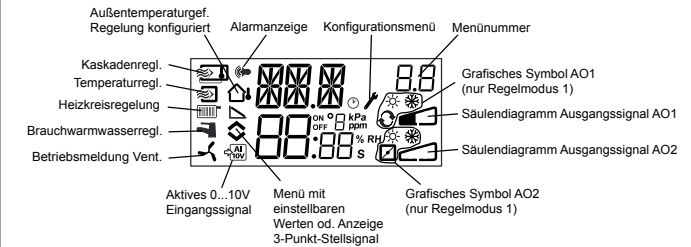
Ein Symbol zeigt den Alarmtyp an. Eine Schneeflocke steht für AL1, die Sonne für AL2, ein Ventilator für AL3 und das Eingangssymbol für AL4. Befinden sich mehrere Alarme in der Liste, können diese durch Drehen des Knopfes nacheinander angezeigt werden. Zum Quittieren eines Alarms wird der Knopf gedrückt, um zum Änderungsmodus zu gelangen. Danach den Knopf von Nein auf Ja drehen und die Eingabe durch Drücken bestätigen.



Ein Alarm bleibt solange auf der Alarmliste, bis er quittiert und die Alarmursache beseitigt wurde. Die Alarmanzeige im Basisdisplay leuchtet, bis die Alarmliste leer ist. Die Anzeige blinkt jedoch nur solange es unquittierte Alarme in der Liste gibt. Danach leuchtet sie konstant, bis alle Alarme zurückgesetzt wurden. Wird DO1 als Alarmausgang verwendet, bleibt er aktiv, solange sich unquittierte Alarme in der Liste befinden. DO1 kann nicht als Alarmausgang verwendet werden, wenn die 3-Punkt-Regelung gewählt wurde.

Für weitere Informationen zur Alarmbehandlung, siehe "Optigo OP10 Handbuch". Das Handbuch kann unter www.regincontrols.de heruntergeladen werden.

Displaysymbole



Zurücksetzen auf Werkseinstellungen

OP10 kann auf die Werkseinstellungen zurückgesetzt werden, indem die Brauchwarmwasserregelung konfiguriert (Regelmodus 5) und der D-Faktor auf 99 eingestellt wird. Das Basisdisplay aufrufen. Danach ist die Stromversorgung zu unterbrechen. Bei erneutem Einschalten der Stromversorgung wurden alle Konfigurationswerte auf die Werkseinstellung zurückgesetzt.



Elektromagnetische Verträglichkeit

Dieses Produkt entspricht den Anforderungen der EMV-Richtlinie 2004/108/EG durch Erfüllung der Normen EN 61000-6-1 und EN 61000-6-3.

Niederspannungsrichtlinie LVD (Low Voltage Directive)

OP10-230 erfüllt den aktuellen europäischen Niederspannungsstandard 60730-1 und EN 60730-2-9.

RoHS

Dieses Produkt entspricht den Anforderungen der Richtlinie 2011/65/EU des europäischen Parlamentes und des Rates.

Kontakt

RICCIUS + SOHN GmbH Vertriebsbüro Deutschland
Haynauer Str. 49, 12249 Berlin
Tel: +49 30 77 99 40
Fax: +49 30 77 99 413
info@riccius-sohn.eu
www.regincontrols.de



Veillez lire cette instruction avant de procéder à l'installation et au raccordement de l'appareil.



Reportez-vous à la documentation à chaque fois que ce symbole est utilisé pour vérifier la nature des risques encourus et les mesures de précautions à prendre.

Régulateur avec écran

Optigo OP10 est un régulateur préprogrammé configurable. Il est doté de 10 entrées/sorties et peut être configuré pour contrôler la température (contrôle de ventilation avec chauffage ou refroidissement), le chauffage par radiateur à eau avec loi de compensation en fonction de la température extérieure ou pour la régulation de l'eau chaude sanitaire.

À partir de la révision R20, il est possible de raccorder un potentiomètre de consigne externe qui peut être utilisé avec les modes 1-4.

OP10 est disponible en deux versions : OP10 avec une alimentation 24 V AC et OP10-230 avec une alimentation 230 V AC.

Le régulateur peut être utilisé et configuré directement grâce à l'écran et au bouton de commande rotatif.

Caractéristiques techniques

Tension d'alimentation	
OP10-230	230 V AC +10%, -15%, 50/60 Hz.
OP10	24 V AC ±15%, 50/60 Hz.
Puissance consommée 4 VA	
Température ambiante 0...50°C	
Humidité ambiante Max. 95 % HR	
Température de stockage -20...70°C	
Écran Numérique / graphique. Rétro-éclairage.	
Entrées Voir les schémas de raccordement et les tableaux ci-après.	
Borniers Débrochables, pour câble avec une section de 2,5 mm ² max.	
Indice de protection IP00	
Matière, boîtier Polycarbonate, PC	
Poids	
OP10-230	370 g borniers inclus
OP10	215 g borniers inclus
Dimensions 122 x 120 x 64 mm (borniers inclus)	
Catégorie de surtension 3	
Degré de pollution 2	

Entrées

AI	Résolution: 10 bits analogique/numérique
AI1	Sonde PT1000, plage de mesure 5...+80 °C
AI2	Sonde PT1000, plage de mesure -30...+50 °C
SPI	Potentiomètre de consigne PT1000, plage de temp. 0...40 °C
UI	
AI	Sonde PT1000, plage de mesure 0...+80 °C
ou DI	Contact libre de potentiel NO
A _{GND}	Borne de référence pour les entrées analogiques
UI+	Borne de référence pour les entrées universelles
DI	Contact libre de potentiel NO
DI+	Borne de référence pour les entrées digitales (DI)

Sorties

AO	0...10 V DC, 8 bits numérique/analogique, protection contre les courts-circuits.
DO1 et DO2 (OP10)	Contrôle par triac, 24 V AC, 0,5 A continu (raccordé à G0)
DO1 et DO2 (OP10-230)	Contrôle par triac, 24 V AC, 0,16 A continu avec trafo interne (raccordé à G0)
DO3	Contact inverseur (SPDT) 230 V AC, 1 000 VA
GDO	Borne de référence pour DO1 et DO2. Sortie 24 V AC

Valeurs de consigne

(RU = Réglage d'usine)

	Température	RU
Air soufflé	10...80 °C	21°C
Ctrl d'ambiance en cascade	10...50 °C	21 °C
Régul. d'une boucle de radiateur (avec une sonde d'ambiance uniquement)	10...40 °C	21°C
Consigne externe	0...40 °C	
Température de soufflage ambiante	10...80 °C	21 °C
ECS	10...80 °C	55 °C
Zone neutre	0...10 °C	1 °C
Bande proportionnelle	0...99 °C	15 °C
Temps d'intégration	0...990 s	60 s
Facteur D	0...99	0
Bande proportionnelle en cascade	0,5...99 °C	15 °C
Cascade min.	0...99 °C	15 °C
Cascade max.	0...99 °C	25 °C
Limite min. registre	0...99 %	10 %
Mise en route de la compensation extérieure	-30...50 °C	10 °C
Compensation extérieure pour une temp.ext de -20 °C	-10...10 °C	5 °C
Température d'entrée (boucle de chauffage à eau) pour une température extérieure de -20 °C	0...99 °C	60 °C
pour une température extérieure de +20 °C	0...99 °C	20 °C
Protection antigel	7 °C (fixe)	
SP. (consigne) mode veille	25 °C (fixe)	
Temps de course de l'actionneur		
3 points	10...300 s	120 s
Sortie chauffage pour le thermostat antigel	0...100 %	25 %



Installation

OP10-230 doit être installé dans une armoire au standard DIN ou équivalent afin d'éviter les risques de chocs électriques et de répondre aux exigences de la directive BT. Voir aussi le chapitre *Installation* du manuel « Manuel Optigo OP10 », qui peut être téléchargé sur le site www.regin.fr.


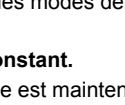
Déconnexion

Optigo OP10-230 doit être raccordé à un disjoncteur, afin de pouvoir couper l'alimentation si nécessaire. Le disjoncteur doit être placé à proximité de l'Optigo, en évidence et être facilement accessible et clairement identifié.

Protection contre les surintensités

Le régulateur OP10-230 doit être protégé par un fusible. La charge maximum étant 1 000 VA, il convient d'utiliser un fusible de 6 A. Voir le tableau 1 pour les raccordements.

Tableau 1. Bornes de raccordement des E/S.

Borne	Désignation	Fonctionnement
1	G	24 V AC
2	G0	Optigo 10 uniquement
3		
1	L	230 V AC
2		Optigo 10-230 uniquement
3	N	
10	Neutre	 DO3 Relais 230 V AC, 1 000 VA
11	NO	
12	NF	
13	GDO	Borne de référence pour DO1 et DO2.
14	DO1	Sortie digitale
15	DO2	Sortie digitale
20	AGnd	Référence pour AO1 et AO2
21	AO1	Sortie 0...10 V
22	AO2	Sortie 0...10 V
40	DI2	Entrée digitale
41	DI+	Référence pour DI1 et DI2
42	DI1	Entrée digitale
43	UI+	Référence pour UI1
44	UI1	Entrée universelle PT1000 ou digitale
50	AGnd	Référence pour AI1
51	AI1	Entrée sonde de temp. PT1000
52	AGnd	Référence pour AI2
53	AI2	Entrée sonde de temp. PT1000
54	SPI	Entrée potentiomètre de consigne PT1000

Pour limiter les perturbations, utiliser des câbles blindés lors du raccordement des sondes. Raccorder la protection à la terre.

Modes de régulation

Optigo peut être configuré pour les modes de régulation suivants :

1. Régulation à soufflage constant.

La température de soufflage est maintenue à la température de consigne grâce aux sorties AO1 et AO2. Une seule boucle PI est utilisée. Raccorder la sonde sur AI1, même lorsque seule une sonde d'ambiance est utilisée.

2. Régulation du soufflage avec compensation de la température extérieure

La température de soufflage est maintenue à la température de consigne en jouant sur les sorties AO1 et AO2. Une seule boucle PI est utilisée. Le point de consigne s'ajuste automatiquement en fonction de la température extérieure.

3. Régulation d'ambiance/de reprise avec fonction cascade

Le moindre décalage de la température ambiante entraîne l'ajustement du point de consigne de la température de soufflage afin de compenser l'écart. Des boucles de régulation PI sont utilisées. La température de soufflage est bornée. Il convient d'utiliser une sonde de température de soufflage et une sonde d'air ambiant/extrait.

4. Régulation du chauffage (radiateurs) en fonction de la température extérieure













La consigne de température de l'eau est ajustée en fonction de la température extérieure. Une seule boucle PI est utilisée. Une sonde de température d'ambiance peut être utilisée en complément afin de permettre de corriger les éventuels écarts par rapport à la consigne de température ambiante. Sans sonde d'ambiance, le point de consigne correspond à un déplacement parallèle de la courbe. En cas d'utilisation d'une sonde d'ambiance, le point de consigne est celui de la pièce. Il se règle automatiquement en configurant le mode de régulation 4.

5. Régulation de l'eau chaude sanitaire

La température de l'eau est maintenue constante grâce à la sortie AO1. Une seule boucle PID est utilisée.

Modes de régulation 1, 2 et 3

Avec ces trois modes de régulation, les sorties analogiques peuvent être configurées comme suit :

	AO1	AO2	Symboles utilisés pour l'affichage	
1	Chauffage	-	\	
2	Refroidissement	-	/	
3	Chauffage	Refroidissement	//	 
4	Chauffage	Chauffage	\\	 
5	Refroidissement	Refroidissement	///	 
6	Chauffage	Registre	\\	 
7	Refroidissement	Registre	\\	 

Note : Avec les modes de régulation 1, 2 et 3, l'entrée d'indication de fonctionnement du ventilateur (DI1) doit être raccordée pour que la fonction de contrôle puisse démarrer. Sinon, une alarme AL3 se déclenche. L'entrée doit « suivre » la sortie du ventilateur, à savoir que si la sortie se ferme, l'entrée doit en faire autant.

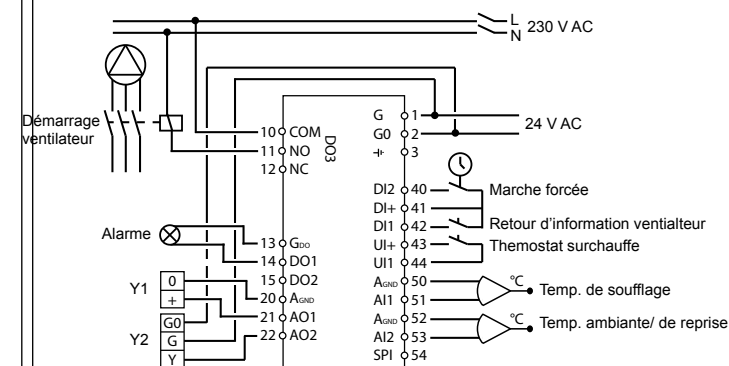


Figure 1. Exemple de raccordement : OP10 pour chauffage électrique (par exemple via PULSER-X/D ou TTC25X) et registre. Régulation avec fonction cascade

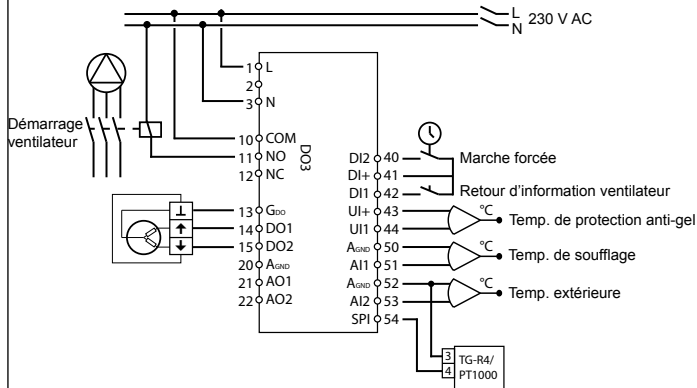


Figure 2. Exemple de raccordement : OP10-230 pour batterie de chauffage à eau , sortie 3 points. Régulation du soufflage avec compensation de la température extérieure et potentiomètre de consigne externe.
Les sorties numériques ont une tension de 24 V AC, GDO est commun et DO est connecté à G0. Pour OP10, DO1 et DO2, les sorties acceptent 12 VA. Pour OP10-230, DO1 et DO2, les sorties acceptent 3,8 VA moyennant l'utilisation du transformateur interne.

Mode de régulation 4

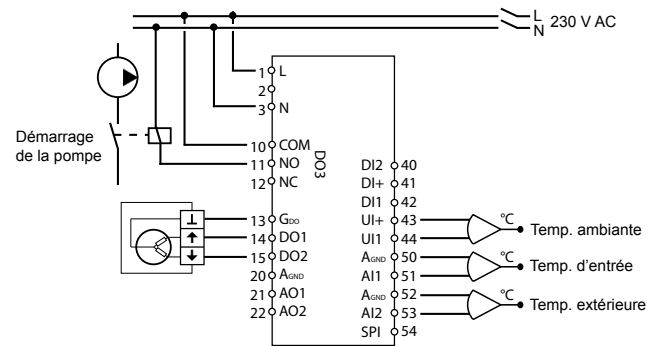


Figure 3. Exemple de raccordement : OP10-230 avec moteur 3 points et sonde de température d'ambiance (s'utilise également sans sonde ambiante). Les sorties numériques ont une tension de 24 V AC, GDO est commun et DO est connecté à G0. Pour OP10, DO1 et DO2, les sorties acceptent 12 VA. Pour OP10-230, DO1 et DO2, les sorties acceptent 3,8 VA moyennant l'utilisation du transformateur interne.

Mode de régulation 5

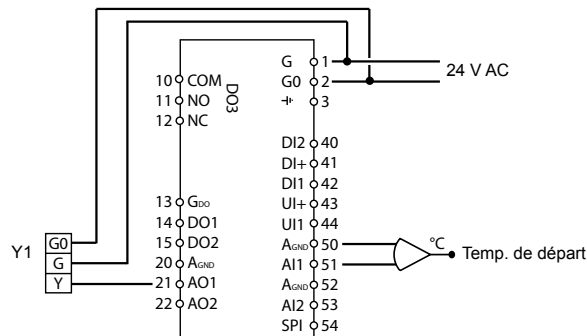


Figure 4. Exemple de raccordement : OP10 avec moteur 0...10 V

Les menus du niveau de configuration (10 secondes)

Le système de menu est divisé en trois niveaux : le niveau de configuration (10 secondes), le niveau de réglage de l'horloge et des programmes horaires (3 secondes) et le niveau de base.

Niveau de configuration (10 secondes)


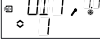
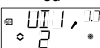
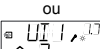
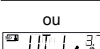
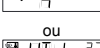
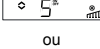

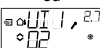
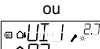
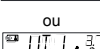
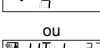
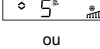


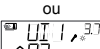
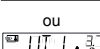
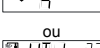
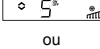


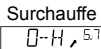




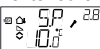
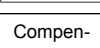
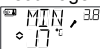



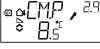
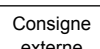
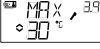
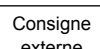

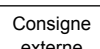

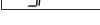
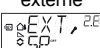
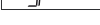

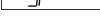

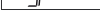
Ce niveau est affiché par défaut lors de la première mise en route de l'appareil. Pour accéder au mode configuration, appuyez sur le bouton pendant 10 secondes à partir de l'écran d'accueil. Le niveau d'accès « 10 secondes » couvre l'ensemble des menus de configuration. Note : Le mode « 10 secondes » n'est accessible que depuis l'écran d'accueil.

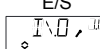
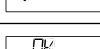
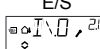
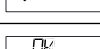
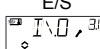
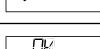
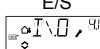
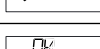
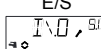
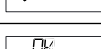







Le tableau 2 ci-après présente la structure du menu de configuration et les différentes configurations possibles. Le premier menu qui s'affiche est le niveau 0, qui permet de choisir le mode de régulation. Pour naviguer dans les menus, il suffit de tourner le bouton et d'appuyer pour valider. Différents menus s'affichent selon la configuration.

Tableau 2. Menus du mode configuration

Niv. menu	Modes de régulation				
0	1 Régulation de la température de soufflage 	2 Régulation du soufflage avec compensation de la température extérieure 	3 Contrôle en cascade 	4 Régulation du chauffage (radiateurs) en fonction de la température extérieure 	5 Régulation de l'eau chaude sanitaire
1	Type de sortie alt. 	Type de sortie alt. 	Type de sortie alt. 	Type de sortie alt. 	-
1.A	Temps de course actionneur 	Temps de course actionneur 	Temps de course actionneur 	Temps de course actionneur 	-
2	Signal de sortie 	Signal de sortie 	Signal de sortie 	-	-
3	Zone neutre 	Zone neutre 	Zone neutre 	-	-
4	Bande-P 	Bande-P 	Bande-P 	Bande-P 	Bande-P
5	Temps-I 	Temps-I 	Temps-I 	Temps-I 	Temps-I
6	Position minimum du registre 	Position minimum du registre 	Position minimum du registre 	Augmentation de la température à 0°C 	Facteur D

6	-	-	Bande proportionnelle en cascade 	-	-
7	Fonction sur l'entrée U11  ou  ou  ou  ou  ou 	Fonction sur l'entrée U11  ou  ou  ou  ou  ou 	Fonction sur l'entrée U11  ou  ou  ou  ou  ou 	Test de la pompe  ou 	Surchauffe  ou 
7.b	Position de la vanne en mode veille 	Position de la vanne en mode veille 	Position de la vanne en mode veille 		
8	-	Démarrage de la compensation extérieure  ou 	Limite mini temp. soufflage  ou 	Consigne bas (pour une température extérieure de +20°C)  ou 	-
9	-	Compensation max. (pour une température extérieure de -20°C)  ou 	Limite max. temp. soufflage  ou 	Consigne haut (pour une température extérieure de -20°C)  ou 	-
E	Consigne externe  ou 	Consigne externe  ou 	Consigne externe  ou 	Consigne externe  ou 	

11	E/S  ou 	E/S  ou 	E/S  ou 	E/S  ou 	E/S  ou 
Menu OK					

Le menu de niveau 0 permet de choisir un mode de régulation. Appuyez sur le bouton et vérifiez que l'icône indiquant que « le menu contient des valeurs paramétrables » commence à clignoter (voir § *Symboles utilisés pour l'affichage* ci-après). Lorsque le mode de régulation souhaité est affiché, appuyez une nouvelle fois sur le bouton pour valider. L'icône indiquant que « le menu contient des valeurs paramétrables » arrête de clignoter.

Ensuite, il suffit de tourner le bouton pour choisir un autre menu. Tous les menus ne sont pas affichés par défaut, mais en fonction de l'application et des options choisies par l'opérateur au fur et à mesure de la configuration.

Exemple :
Pour régler le temps d'intégration dans le mode de régulation 3 (Régulation d'ambiance/de reprise avec fonction cascade), allez dans le menu 3.5.

Appuyez sur le bouton d'encodage. L'icône indiquant que « le menu contient des valeurs paramétrables » clignote. Choisissez une valeur en tournant le bouton et appuyez pour valider. Pour quitter le mode configuration, allez au menu OK et appuyez sur le bouton. Le niveau de réglage de l'horloge et des programmes horaires s'affiche.
Pour quitter le mode « Réglage horloge et programmes horaires », allez au menu OK et appuyez sur le bouton. Vous revenez alors à l'écran d'accueil.
Ce menu dispose aussi d'un sous-menu OK qui permet de revenir à l'écran d'accueil.
Une fonction de déconnexion automatique permet de sortir du mode configuration après 5 minutes d'inactivité.

Menu 1.1, 2.1, 3.1, 4.1 : Choix du type d'actionneur
Lorsque vous choisissez un actionneur 3 points, vous obtenez un nouveau menu : 1.A, 2.A, 3.A ou 4.A. Ce menu permet de régler la durée de la course de l'actionneur.

Menu 1.7, 2.7, 3.7: fonction pour entrée U11
Il existe six options de paramétrage pour U11: "..." (non utilisée), "1" Protection antigel sur AO1, "2" Protection antigel sur AO2, "3" Protection contre la surchauffe, "4" Thermostat antigel sur AO1, "5" Thermostat antigel sur AO2. Pour utiliser la protection antigel avec un actionneur 3 points, régler U11 sur "1" ou "4". Lorsqu'un actionneur 3 points est utilisé, la sortie d'alarme n'est pas disponible.

Sauvegarde des réglages
Tous les réglages deviennent actifs à partir du moment où ils ont été validés, c.-à-d. une fois que vous avez appuyé sur le bouton. Cependant ils ne sont sauvegardés dans la mémoire flash que lorsque vous quittez le mode configuration (soit via le menu OK, soit via la déconnexion automatique).

Pour sortir du mode de configuration en ne sauvegardant aucun des changements effectués dans la mémoire flash, il suffit de couper l'alimentation de l'Optigo, sans sortir du mode. Le régulateur récupère alors les dernières valeurs sauvegardées avant l'entrée dans le mode de configuration.

Voir le manuel « Manuel Optigo OP10 » pour en savoir plus sur les menus de configuration. Le manuel peut être téléchargé sur le site de Regin : www.regin.fr.

Horloge et programmes horaires (niveau 3 secondes)
Pour accéder à ce niveau, il suffit d'appuyer sur le bouton pendant 3 secondes à partir de l'écran d'accueil. Le niveau d'accès « 3 secondes » contient tous les menus qui permettent de régler l'horloge et les programmes horaires. La fonction programme horaire n'est disponible qu'avec les modes de régulation 1, 2, 3 et 4. Note : Le mode « 3 secondes » n'est accessible que depuis l'écran d'accueil.



L'écran RT (pour temps réel) permet de visualiser l'heure et la date. Cette dernière est représentée par le chiffre correspondant au jour de la semaine (1 pour Lundi et 7 pour Dimanche). Dans l'exemple ci-dessus nous sommes un vendredi (cinquième jour de la semaine) et il est 13h48. Pour régler l'heure et la date, appuyez sur le bouton. Le jour de la semaine se met à clignoter. Tournez le bouton jusqu'à ce que le jour souhaité s'affiche à l'écran (1 = Lundi, 2 = Mardi, etc.). Appuyez sur le bouton pour valider votre choix. Lorsque la date est réglée, les deux chiffres de l'heure se mettent à clignoter à leur tour. Procédez de la même façon pour régler l'heure. Après avoir confirmé votre choix pour le réglage des minutes, vous passez automatiquement au menu suivant, c.-à-d. le premier menu de réglage des programmes horaires. Note : L'horloge ne passe pas automatiquement à l'heure d'été/hiver.

Il y a quatre points ON et quatre points OFF. Chaque point est présenté dans un menu où 0.1, 0.3, 0.5 et 0.7 sont des points ON et 0.2, 0.4, 0.6 et 0.8 sont des points OFF.

Modes de régulation 1, 2 et 3

Les modes de régulation 1, 2 et 3 fonctionnent sur le même principe, à savoir que les points ON permettent de démarrer l'installation et les points OFF permettent de l'arrêter.

Exemple :

Commencez par régler la première tranche ON (0.1) : choisissez 8 pour le chiffre des jours et choisissez l'heure de démarrage de l'installation (7:30).

Réglez ensuite la période d'arrêt (0.2) : choisissez à nouveau 8 pour le chiffre des jours et choisissez l'heure à laquelle vous souhaitez que l'installation s'arrête (18:00).

Ensuite la tranche ON pour le Samedi (0.3) : choisissez 6 pour le chiffre des jours (=Samedi) et choisissez l'heure de démarrage de l'installation (8:00). Passez au menu suivant (0.4) et réglez la période d'arrêt du Samedi : choisissez 6 pour le chiffre des jours (=Samedi) et choisissez l'heure de mise à l'arrêt de l'installation (14:00).

Choisissez -- à la place du chiffre des jours pour tous les autres menus.

En plus des huit menus qui permettent de définir les périodes de marche/arrêt, Optigo dispose également d'un menu qui permet de passer outre le programme horaire et grâce au contrôle manuel. Ce menu est le dernier de la liste et porte le numéro 0.9. Il affiche l'état actuel de la sortie du programmateur horaire et donne la possibilité de passer outre celui-ci en passant au mode manuel. Par exemple, si l'installation est sur ON, il est possible de la passer manuellement sur OFF. Dans ce cas, l'installation reste à l'arrêt tant que le réglage n'est pas changé et remis manuellement sur ON ou bien jusqu'à ce que le prochain point ON programmé se déclenche.

Le dernier menu après le menu programme horaire est le menu « OK ». Appuyez sur le bouton pour sortir du menu « Horloge et programmes horaires » et revenir à l'écran d'accueil.

Mode de régulation 4

Le mode de régulation 4 utilise le programme horaire pour passer en mode ÉCO (mode veille) dans lequel la température est réduite de plusieurs degrés (valeur réglable) par rapport à la température dite de confort. Dans ce cas, les points ON permettent de passer en mode ÉCO (mode veille) et les points OFF permettent de revenir en mode confort (normal).

Exemple :

Du lundi au vendredi, vous souhaitez maintenir la température de confort entre 6h00 et 21h00. Le week-end, vous souhaitez maintenir la température de confort entre 7h00 et 23h30.

Commencez par régler la première tranche ON (0.1) : choisissez 8 pour le chiffre des jours et choisissez l'heure à laquelle l'installation passe en mode ÉCO (21:00).

Réglez ensuite la période d'arrêt (0.2) : choisissez à nouveau 8 pour

le chiffre des jours et choisissez l'heure à laquelle vous souhaitez que l'installation passe en mode normal (06:00).

Réglez ensuite la tranche ON pour le Samedi (0.3) : choisissez 6 pour le chiffre des jours (=Samedi) et choisissez l'heure de passage en mode veille (23:30).

Passez au menu suivant (0.4) et réglez la période d'arrêt du Samedi : choisissez 6 pour le chiffre des jours (=Samedi) et choisissez l'heure de passage en mode normal (07:00).

Passez au menu suivant (0.5) et réglez la période ON du Dimanche : choisissez 7 pour le chiffre des jours (=Dimanche) et choisissez l'heure de passage en mode ÉCO (23:30).

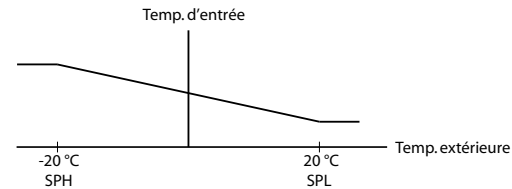
Passez au menu suivant (0.6) et réglez la période d'arrêt du Dimanche : choisissez 7 pour le chiffre des jours (=Dimanche) et choisissez l'heure de passage en mode normal (07:00).

Choisissez -- à la place du chiffre des jours pour les deux derniers menus. En plus des huit menus qui permettent de définir les périodes de marche/arrêt, Optigo dispose également d'un menu qui permet de passer outre le programme horaire grâce au contrôle manuel. Ce menu est le dernier de la liste et porte le numéro 0.9.

Dans le menu 0.9 vous pouvez régler le nombre de degré dont vous souhaitez diminuer la consigne de température ambiante pendant les périodes de veille. En l'absence de sonde d'ambiance, l'abaissement est fixé à 3 fois la valeur réglée et s'applique à la consigne de température de départ de l'eau.

Le dernier menu après le menu programme horaire est le menu « OK ». Appuyez sur le bouton pour sortir du menu « Horloge et programmes horaires » et revenir à l'écran d'accueil.

Compensation extérieure



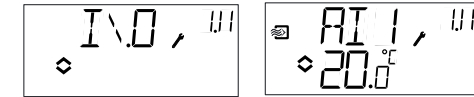
Niveau de base

C'est l'écran qui est affiché lorsque qu'il n'y a pas d'action de l'opérateur.



E/S :

A partir de l'écran d'accueil, tournez le bouton dans le sens inverse des aiguilles d'une montre jusqu'à ce que le texte I/O (entrées/sorties) s'affiche. Appuyez sur le bouton pour entrer dans le menu et visualiser les états et valeurs des entrées/sorties. Pour sortir du menu, appuyez de nouveau sur le bouton et tournez dans le sens des aiguilles d'une montre pour revenir à l'écran d'accueil.

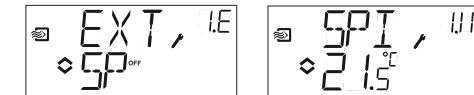


Valeurs de consigne :

A partir de l'écran d'accueil, appuyez sur le bouton pour accéder au menu de réglage des consignes. Pour modifier la consigne, appuyez de nouveau sur le bouton. L'icône indiquant que « le menu contient des valeurs paramétrables » clignote. Choisissez une valeur en tournant le bouton et appuyez sur le bouton pour valider.



À partir de la révision R20, il est possible d'utiliser un potentiomètre de consigne externe PT1000 ou de régler la valeur de consigne via l'écran. Le point de consigne externe ne peut être utilisé qu'avec les modes 1-4. Une sonde d'ambiance doit être utilisée pour le mode 4. Pour choisir si le point de consigne est interne ou externe, allez dans le menu 1.E, réglez EXT SP sur ON pour un point de consigne externe et sur OFF pour un point de consigne interne. Avec le point de consigne externe, vous ne pouvez voir la valeur actuelle de la consigne que dans le menu de réglage des consignes.



Menu de configuration :
Choix d'un point de
consigne externe ou interne

Menu E/S : SPI sélectionné,
la valeur actuelle est affichée

Consigne calculée :

Pour les modes de régulation avec compensation de la température extérieure ou avec contrôle en cascade, le régulateur ne travaille pas avec une consigne fixe. Au lieu de cela, il travaille avec une consigne calculée, qui varie en fonction de la température extérieure ou, quand il s'agit du contrôle en cascade, en fonction de la température ambiante. La consigne calculée est affichée en tournant le bouton dans le sens des aiguilles d'une montre à partir de l'écran d'accueil.



Mode de régl. 2 Mode de régl. 3 Mode de régl. 4

Régulation du soufflage avec compensation de la température extérieure. Régulation d'ambiance avec contrôle du soufflage Régulation du chauffage (radiateurs) en fonction de la température extérieure.

Gestion des alarmes :

Si des alarmes sont actives et que vous appuyez sur le bouton, le menu de gestion des alarmes s'affiche. Il permet de visualiser et d'acquitter les alarmes. Chaque alarme dispose d'un menu. Le type d'alarme est indiqué par un symbole.

En cas de déclenchement d'une ou plusieurs alarme(s), l'indicateur d'alarme s'affiche et clignote. Lorsqu'aucun actionneur 3 points n'est utilisé, DO1 sera activée comme sortie de total d'alarmes.

Il y a quatre types d'alarme différents.

AL1 Alarme de protection antigel. La température au niveau de la sonde de protection antigel est inférieure à + 7°C. Les températures de protection antigel sont des valeurs fixes. La régulation de mise hors gel commence à 12°C, ou bien lorsque le thermostat antigel se déclenche et que l'entrée UI1 est ouverte.

AL2 La protection contre la surchauffe de la batterie de chauffage électrique est déclenchée.

AL3 Alarme ventilateur. Soit il n'y a pas de signal indication du fonctionnement du ventilateur sur l'entrée DI1 lorsque la sortie de mise en route du ventilateur (DO3) est active. Soit DI1 est active alors qu'il n'y a pas de signal sur DO3. L'alarme sur le ventilateur à une temporisation de 30 secondes.

AL4 Erreur sonde. Une entrée sonde n'est pas raccordée.

Chaque type d'alarme est identifié par un symbole. Flocon de neige pour la protection antigel, soleil pour la sécurité surchauffe, ventilateur pour le fonctionnement du ventilateur et le symbole représentant l'entrée pour les erreurs sonde.

S'il y a plusieurs alarmes, tournez le bouton pour passer de l'une à l'autre. Pour acquitter une alarme, appuyez sur le bouton pour entrer dans le menu. Tournez ensuite pour changer « No » en « Yes » et appuyez une nouvelle fois pour valider votre choix.

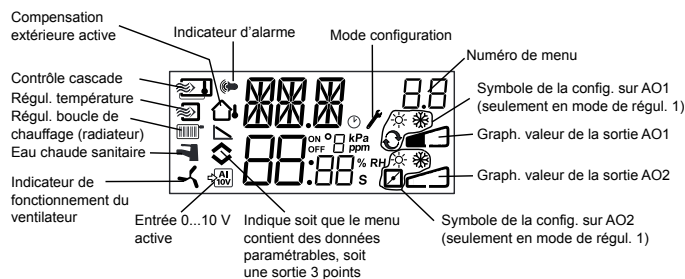


Tant qu'une alarme n'a pas été acquittée et remise à zéro, elle reste visible dans la liste des alarmes. L'indicateur d'alarme reste affiché tant que la liste des alarmes n'est pas vide. Il clignote tant qu'il reste des alarmes non acquittées dans la liste. Lorsque toutes les alarmes ont été acquittées, l'indicateur cesse de clignoter mais reste allumé tant que toutes les alarmes n'ont pas été remises à zéro. Si DO1 est utilisée comme sortie d'alarme, elle reste activée tant qu'il reste des alarmes non acquittés dans la liste.

DO1 ne peut pas être utilisée comme sortie d'alarme en même temps que la commande 3 points.

Voir le manuel « Manuel Optigo OP10 » pour en savoir plus sur la gestion des alarmes. Le manuel peut être téléchargé sur le site de Regin : www.regin.fr.

Symboles utilisés pour l'affichage



Revenir aux réglages par défaut (réglages d'usine)

Pour revenir aux réglages d'usine d'OP10, choisissez le mode de régulation 5 (Régulation de l'ECS) et réglez le facteur D (D-Factor) sur 99. Revenez ensuite à l'écran d'accueil et coupez l'alimentation électrique d'OP10. Lorsque le courant est rétabli, tous les paramètres et programmes horaires sont réinitialisés à leurs valeurs par défaut.



Directive compatibilité électromagnétique (CEM)

Ce produit répond aux exigences de la directive 2004/108/CE du Parlement européen et du Conseil (CEM) au travers de la conformité aux normes EN 61000-6-1 et EN 61000-6-3.

Directive basse tension 2006/95/EC

OP10-230 est conforme aux exigences de la directive BT et répond à la norme 60730-1 et EN 60730-2-9.

RoHS

Ce produit répond aux exigences de la directive 2011/65/UE du Parlement européen et du Conseil.

Contact

Regin France, 32 rue Delizy, 93500 Pantin
Tél : ++33 (0)1 71 00 34, Fax : +33 (0)1 71 46 46
www.regin.fr, info@regin.fr